

WXF High Temperature Motors  
(Frame sizes 71~355)

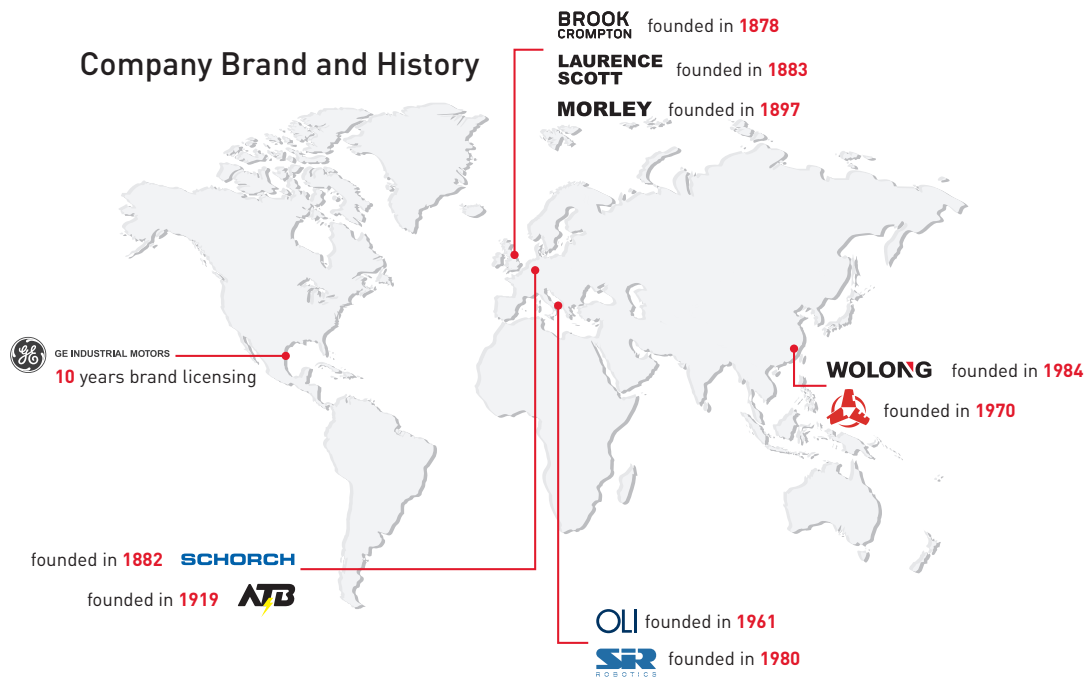
## Wolong Group

One of the world's top three motor and drive manufacturers.

Wolong has over fifty first-level subsidiaries, more than 15,000 employees, total assets of 4.3 billion USD, and annual sales of 5.4 billion USD in 2019. The group was founded in 1984 and listed on the Shanghai Stock Exchange in June 2002.

With its reliable design, Wolong motors are constantly powering fans, pumps, compressors, conveyors, etc.: Driven by technology and innovation,

The main products are leading the international and domestic mainstream markets and supporting many national key projects.



## Introduction

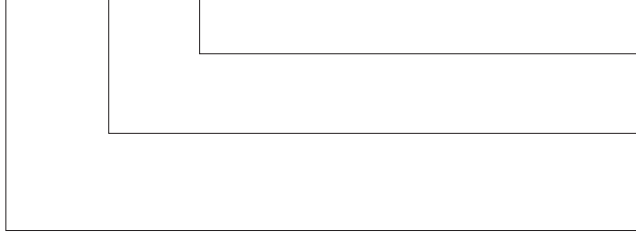
WXF high temperature motor is an energy efficiency upgrade product independently developed by our company. Its efficiency meets the IEC60034-30-1 IE4 and IE2 efficiency standards. Installation dimensions conform to IEC standards.

WXF high temperature motor has the ability to withstand high temperature fire test, meets S1 and S2 operating conditions: under normal circumstances can be used as general motor, long-term continuous operation; In case of emergency smoke and smoke exhaust, starts S2 short-time operation. If the ambient temperature is up to 400°C, reliable operation for 2 hours, in line with the emergency working conditions of high temperature fire motor.

This series of motors has the characteristics of low loss, low vibration, safety and reliability, easy maintenance and so on.

## Introduction

WXF3 - 160 M1-2 F200



Temperature rating: Denotes temperature 200°C, Emergency operation 2h

Specifications code: Denotes the height of axis center is 160mm (Frame 160), The frame length is M, the iron core length is 1 and 2 Poles

Product code: WXF4, IE4 Efficiency  
 WXF3, IE3 Efficiency  
 WXF2, IE2 Efficiency

## Operating condition

### Normal temperature

Ambient air temperature: -20°C~ +40°C;

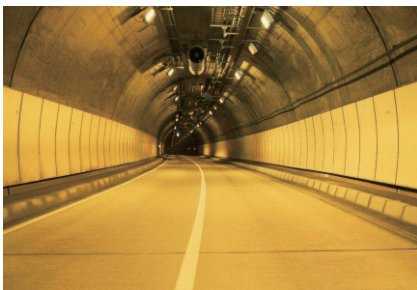
Altitude: ≤1000m;

Note: When the ambient air temperature, altitude and the above provisions do not at the same time according to the provisions of GB755;

Humidity: monthly average maximum relative humidity does not exceed 90%.

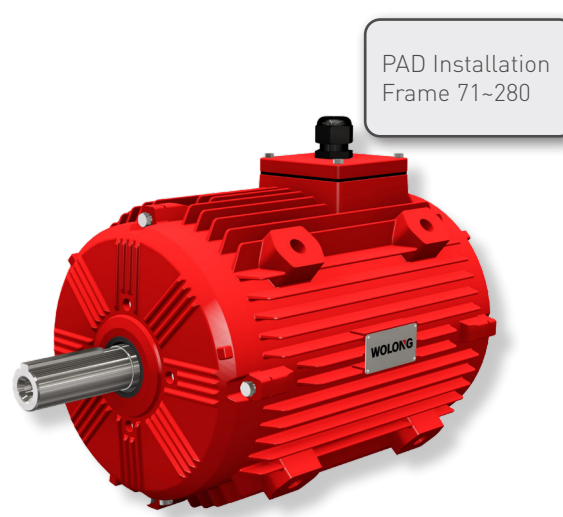
### High temperature emergence condition temperature time classification

	Temperature	Minimum time for emergency operation
F200	200°C	2h
F300	300°C	2h
F400	400°C	2h



Technical characteristic

	Standard features	Optional (special) features
Frame	71~355	-
Power	0.18 ~ 315kW	-
Efficiency level	IEC 60034-30-1 IE4, IE3, IE2	-
Poles	2P, 4P, 6P, 8P	-
Voltage	380V	220/380V, 230/400V , 380/660V, 400/690V , Customize
Frequency	50Hz	60Hz
Duty	S1 at normal temperature,S2 2h at high temperature	+200°C /2 h;+300°C /2 h;+400°C /2 h, Customize
Installation	B3 Range 80~355 PAD Range 71~280	-
Insulation class	F ,B grade temperature rise assessment	H , Customize
Connecting wire	3kW and below 380V“Y” above 3kW 380V “ Δ ”	-
Level of protection	IP55	-
Cooling type	IC418	-
Bearing type	Maintenance-free bearings are used for 160 and below, open bearings are used for 180 and above, and oil injection and drainage devices are provided without stopping.	-
Environment		Special conditions according to customer requirements



### WXF4 High temperature motors (200°C to 400°C ) - 2P 50Hz IE4

Type	Power	Current(A)			Speed	Efficiency (%)			Power factor			Locked-rotor torque Rated torque	Locked-rotor current Rated current	Maximum torque Rated torque	Weight (kg)	Noise		Moment of inertia (kg·m <sup>2</sup> )	Torque (N.m)
	kW	I <sub>N</sub> 380V	I <sub>N</sub> 400V	I <sub>N</sub> 415V	r/min	50%	75%	100%	50%	75%	100%					L <sub>PA</sub> dB(A)	L <sub>WA</sub> dB(A)		
WXF4-80M1-2	0.75	1.64	1.56	1.51	2875	83.2	83.3	<b>83.5</b>	0.74	0.80	<b>0.83</b>	2.2	8.5	2.3	18	50	62	0.001	2.49
WXF4-80M2-2	1.1	2.36	2.25	2.16	2885	84.9	85.5	<b>85.2</b>	0.74	0.80	<b>0.83</b>	2.2	8.5	2.3	19	50	62	0.0014	3.64
WXF4-90S-2	1.5	3.1	2.94	2.84	2890	86.2	87.1	<b>86.5</b>	0.75	0.82	<b>0.85</b>	2.2	9.0	2.3	26	55	67	0.0015	4.96
WXF4-90L-2	2.2	4.42	4.2	4.04	2895	87.7	88.4	<b>88.0</b>	0.76	0.83	<b>0.86</b>	2.2	9.0	2.3	30	55	67	0.0017	7.3
WXF4-100L-2	3	5.9	5.6	5.4	2900	88.8	89.7	<b>89.1</b>	0.79	0.84	<b>0.87</b>	2.2	9.5	2.3	38	62	74	0.0055	9.9
WXF4-112M-2	4	7.7	7.3	7	2915	89.7	90.6	<b>90.0</b>	0.79	0.86	<b>0.88</b>	2.2	9.5	2.3	51	65	77	0.0075	13.1
WXF4-132S1-2	5.5	10.4	9.9	9.6	2925	90.6	91.2	<b>90.9</b>	0.79	0.86	<b>0.88</b>	2.0	9.5	2.3	73	67	79	0.015	18
WXF4-132S2-2	7.5	14	13.3	12.8	2925	91.4	92.3	<b>91.7</b>	0.80	0.86	<b>0.89</b>	2.0	9.5	2.3	80	67	79	0.019	24.5
WXF4-160M1-2	11	20.3	19.3	18.6	2940	92.3	92.9	<b>92.6</b>	0.79	0.86	<b>0.89</b>	2.0	9.5	2.3	132	68	81	0.05	35.7
WXF4-160M2-2	15	27.4	26.1	25.1	2940	92.9	93.5	<b>93.3</b>	0.79	0.86	<b>0.89</b>	2.0	9.5	2.3	140	68	81	0.059	48.7
WXF4-160L-2	18.5	33.7	32	30.9	2940	93.4	94.1	<b>93.7</b>	0.81	0.87	<b>0.89</b>	2.0	9.5	2.3	155	68	81	0.069	60
WXF4-180M-2	22	40	38	36.6	2945	93.7	94.3	<b>94.0</b>	0.81	0.87	<b>0.89</b>	2.0	9.5	2.3	195	70	83	0.1	71
WXF4-200L1-2	30	54	51	49.6	2970	94.1	94.3	<b>94.5</b>	0.82	0.87	<b>0.89</b>	2.0	9.0	2.3	256	71	84	0.2	96
WXF4-200L2-2	37	67	63	61	2970	94.2	94.7	<b>94.8</b>	0.82	0.86	<b>0.89</b>	2.0	9.0	2.3	285	71	84	0.24	119
WXF4-225M-2	45	81	77	74	2970	94.6	94.9	<b>95.0</b>	0.83	0.87	<b>0.89</b>	2.0	9.0	2.3	345	73	86	0.39	145
WXF4-250M-2	55	99	94	90	2970	94.9	95.3	<b>95.3</b>	0.83	0.87	<b>0.89</b>	2.0	9.0	2.3	450	75	89	0.49	177
WXF4-280S-2	75	134	127	123	2980	95.3	95.6	<b>95.6</b>	0.83	0.88	<b>0.89</b>	1.8	8.5	2.3	588	77	91	0.86	240
WXF4-280M-2	90	160	152	147	2980	95.5	95.8	<b>95.8</b>	0.84	0.88	<b>0.89</b>	1.8	8.5	2.3	660	77	91	1.1	288
WXF4-315S-2	110	196	186	179	2985	95.7	96.0	<b>96.0</b>	0.84	0.88	<b>0.89</b>	1.8	8.5	2.3	960	78	92	1.5	352
WXF4-315M-2	132	234	223	214	2985	95.9	96.2	<b>96.2</b>	0.84	0.88	<b>0.89</b>	1.8	8.5	2.3	1060	78	92	1.6	422
WXF4-315L1-2	160	284	269	260	2985	96.0	96.3	<b>96.3</b>	0.85	0.88	<b>0.89</b>	1.8	8.5	2.2	1185	78	92	2.1	512
WXF4-315L2-2	185	328	311	300	2985	96.1	96.4	<b>96.4</b>	0.85	0.88	<b>0.89</b>	1.8	8.5	2.2	1320	78	92	2.3	592
WXF4-315L3-2	200	354	336	324	2985	96.2	96.5	<b>96.5</b>	0.85	0.88	<b>0.89</b>	1.8	8.5	2.2	1320	78	92	2.5	640
WXF4-355M1-2	220	381	362	349	2990	96.2	96.5	<b>96.5</b>	0.87	0.89	<b>0.91</b>	1.6	8.5	2.2	1870	85	100	4.2	703
WXF4-355M2-2	250	433	411	396	2990	96.2	96.5	<b>96.5</b>	0.88	0.89	<b>0.91</b>	1.6	8.5	2.2	1950	85	100	4.9	798
WXF4-355L1-2	280	484	460	444	2990	96.2	96.5	<b>96.5</b>	0.88	0.89	<b>0.91</b>	1.6	8.5	2.2	2080	85	100	4.7	894
WXF4-355L2-2	315	545	518	499	2990	96.2	96.5	<b>96.5</b>	0.88	0.89	<b>0.91</b>	1.6	8.5	2.2	2100	85	100	6	1006
WXF4-355L1-2	355	614	583	562	2990	96.2	96.5	<b>96.5</b>	0.88	0.89	<b>0.91</b>	0.9	8.6	1.8	2220	89	104	6.8	1134

## WXF High temperature motors

# IE4

# 6

## Performance data

### WXF4 High temperature motors (200°C to 400°C) - 4P 50Hz IE4

Type	Power	Current(A)			Speed	Efficiency (%)			Power factor			Locked-rotor torque Rated torque	Locked-rotor current Rated current	Maximum torque Rated torque	Weight (kg)	Noise		Moment of inertia (kg·m²)	Torque (N.m)
	kW	I <sub>N</sub> 380V	I <sub>N</sub> 400V	I <sub>N</sub> 415V	r/min	50%	75%	100%	50%	75%	100%					L <sub>PA</sub> dB(A)	L <sub>WA</sub> dB(A)		
WXF4-80M1-4	0.55	1.35	1.28	1.23	1425	82.8	84.2	<b>83.9</b>	0.55	0.67	<b>0.74</b>	2.4	9.8	2.2	18	44	56	0.002	3.69
WXF4-80M2-4	0.75	1.8	1.71	1.65	1425	84.5	86.1	<b>85.7</b>	0.55	0.67	<b>0.74</b>	2.3	8.5	2.3	20	44	56	0.0026	5
WXF4-90S-4	1.1	2.56	2.43	2.34	1430	86.5	87.6	<b>87.2</b>	0.56	0.69	<b>0.75</b>	2.3	8.5	2.3	25	47	59	0.0037	7.3
WXF4-90L-4	1.5	3.31	3.15	3.03	1430	87.5	88.5	<b>88.2</b>	0.60	0.72	<b>0.78</b>	2.3	9.0	2.3	30	47	59	0.0047	10
WXF4-100L1-4	2.2	4.73	4.49	4.33	1435	89.2	89.7	<b>89.5</b>	0.62	0.73	<b>0.79</b>	2.3	9.0	2.3	38	52	64	0.011	14.6
WXF4-100L2-4	3	6.3	6	5.8	1440	90.1	90.7	<b>90.4</b>	0.63	0.74	<b>0.80</b>	2.3	9.5	2.3	42	52	64	0.015	19.9
WXF4-112M-4	4	8.3	7.9	7.6	1450	90.8	91.4	<b>91.1</b>	0.67	0.75	<b>0.80</b>	2.2	9.5	2.3	55	53	65	0.022	26.3
WXF4-132S-4	5.5	11.4	10.8	10.4	1460	91.6	92.1	<b>91.9</b>	0.67	0.77	<b>0.80</b>	2.0	9.5	2.3	77	59	71	0.035	36
WXF4-132M-4	7.5	15.2	14.4	13.9	1460	92.3	92.9	<b>92.6</b>	0.69	0.79	<b>0.81</b>	2.0	9.5	2.3	82	59	71	0.04	49.1
WXF4-160M-4	11	21.6	20.5	19.8	1470	93.0	93.5	<b>93.3</b>	0.71	0.81	<b>0.83</b>	2.2	9.5	2.3	136	60	73	0.098	71
WXF4-160L-4	15	28.9	27.4	26.5	1470	93.6	94.2	<b>93.9</b>	0.73	0.81	<b>0.84</b>	2.2	9.5	2.3	155	60	73	0.12	97
WXF4-180M-4	18.5	35.1	33.3	32.1	1475	93.9	94.5	<b>94.2</b>	0.75	0.82	<b>0.85</b>	2.0	9.5	2.3	190	63	76	0.19	120
WXF4-180L-4	22	41.6	39.5	38.1	1475	94.2	94.5	<b>94.5</b>	0.75	0.82	<b>0.85</b>	2.0	9.5	2.3	210	63	76	0.22	142
WXF4-200L-4	30	57	54	52	1475	94.5	94.9	<b>94.9</b>	0.76	0.82	<b>0.85</b>	2.0	9.0	2.3	285	63	76	0.46	194
WXF4-225S-4	37	69	66	64	1480	94.7	95.2	<b>95.2</b>	0.77	0.82	<b>0.85</b>	2.0	9.0	2.3	350	65	78	0.5	239
WXF4-225M-4	45	84	80	77	1480	94.9	95.4	<b>95.4</b>	0.76	0.83	<b>0.85</b>	2.0	9.0	2.3	385	65	78	0.58	290
WXF4-250M-4	55	102	96	93	1480	95.2	95.7	<b>95.7</b>	0.78	0.84	<b>0.86</b>	2.0	9.0	2.3	510	65	79	0.92	355
WXF4-280S-4	75	136	130	125	1485	95.7	96.0	<b>96.0</b>	0.78	0.85	<b>0.87</b>	2.0	8.5	2.3	631	66	80	1.5	482
WXF4-280M-4	90	162	154	148	1485	95.8	96.1	<b>96.1</b>	0.79	0.86	<b>0.88</b>	2.0	8.5	2.3	716	66	80	1.8	579
WXF4-315S-4	110	195	185	179	1490	96.0	96.3	<b>96.3</b>	0.79	0.86	<b>0.89</b>	2.0	8.5	2.2	1010	74	88	3.1	705
WXF4-315M-4	132	234	222	214	1490	96.1	96.4	<b>96.4</b>	0.80	0.87	<b>0.89</b>	2.0	8.5	2.2	1080	74	88	3.4	846
WXF4-315L1-4	160	280	266	256	1490	96.3	96.6	<b>96.6</b>	0.85	0.87	<b>0.90</b>	2.0	8.5	2.2	1160	74	88	4.1	1026
WXF4-315L2-4	185	323	307	296	1490	96.4	96.7	<b>96.7</b>	0.85	0.87	<b>0.90</b>	2.0	8.5	2.2	1275	74	88	5.3	1186
WXF4-315L3-4	200	349	332	320	1490	96.4	96.7	<b>96.7</b>	0.86	0.88	<b>0.90</b>	2.0	8.5	2.2	1275	74	88	5.4	1282
WXF4-355M1-4	220	384	365	352	1495	96.4	96.7	<b>96.7</b>	0.85	0.87	<b>0.90</b>	2.0	8.5	2.2	1850	80	95	9.3	1405
WXF4-355M2-4	250	436	415	400	1495	96.4	96.7	<b>96.7</b>	0.86	0.88	<b>0.90</b>	2.0	8.5	2.2	1850	80	95	9.5	1597
WXF4-355L1-4	280	489	464	448	1495	96.5	96.7	<b>96.7</b>	0.86	0.88	<b>0.90</b>	2.0	8.5	2.2	2040	80	95	11	1789
WXF4-355L2-4	315	550	522	504	1495	96.5	96.7	<b>96.7</b>	0.86	0.88	<b>0.90</b>	2.0	8.5	2.2	2040	80	95	11	2012
WXF4-355L3-4	355	620	589	567	1495	96.5	96.7	<b>96.7</b>	0.86	0.88	<b>0.90</b>	1.7	8.5	2.2	2100	87	102	12	2268

### WXF4 High temperature motors (200°C to 400°C) - 6P 50Hz IE4

Type	Power	Current(A)			Speed	Efficiency (%)			Power factor			Locked-rotor torque Rated torque	Locked-rotor current Rated current	Maximum torque Rated torque	Weight (kg)	Noise		Moment of inertia (kg·m <sup>2</sup> )	Torque (N.m)
	kW	I <sub>N</sub> 380V	I <sub>N</sub> 400V	I <sub>N</sub> 415V	r/min	50%	75%	100%	50%	75%	100%					L <sub>PA</sub> dB(A)	L <sub>WA</sub> dB(A)		
WXF4-80M1-6	0.37	1.06	1.01	0.97	930	77.1	78.8	<b>78.0</b>	0.49	0.61	<b>0.68</b>	2.0	9.7	2.1	17	42	54	0.0023	3.8
WXF4-80M2-6	0.55	1.48	1.4	1.35	930	80.3	81.7	<b>80.9</b>	0.51	0.63	<b>0.70</b>	2.0	9.0	2.1	20	42	54	0.0036	5.6
WXF4-90S-6	0.75	1.97	1.87	1.8	940	82.4	83.5	<b>82.7</b>	0.51	0.63	<b>0.70</b>	2.0	7.5	2.1	29	42	57	0.0061	7.6
WXF4-90L-6	1.1	2.83	2.68	2.59	945	84.1	85.3	<b>84.5</b>	0.52	0.64	<b>0.70</b>	2.0	7.5	2.1	34	45	57	0.0079	11.1
WXF4-100L-6	1.5	3.74	3.55	3.42	950	84.9	86.7	<b>85.9</b>	0.56	0.66	<b>0.71</b>	2.0	7.5	2.1	42	49	61	0.014	15.1
WXF4-112M-6	2.2	5.4	5.1	4.93	950	86.7	88.2	<b>87.4</b>	0.56	0.66	<b>0.71</b>	2.0	7.5	2.1	51	53	65	0.023	22.1
WXF4-132S-6	3	7.2	6.9	6.6	960	88.2	88.9	<b>88.6</b>	0.57	0.66	<b>0.71</b>	2.0	7.5	2.1	70	57	69	0.029	29.8
WXF4-132M1-6	4	9.4	9	8.6	960	88.9	89.8	<b>89.5</b>	0.59	0.67	<b>0.72</b>	2.0	8.0	2.1	78	57	69	0.038	39.8
WXF4-132M2-6	5.5	12.8	12.2	11.7	965	89.7	90.8	<b>90.5</b>	0.59	0.67	<b>0.72</b>	2.0	8.0	2.1	85	57	69	0.054	54
WXF4-160M-6	7.5	16.4	15.6	15	970	90.8	91.6	<b>91.3</b>	0.61	0.72	<b>0.76</b>	2.0	8.0	2.1	136	60	73	0.13	74
WXF4-160L-6	11	23.5	22.3	21.5	970	91.7	92.4	<b>92.3</b>	0.62	0.73	<b>0.77</b>	2.0	8.5	2.1	156	60	73	0.19	108
WXF4-180L-6	15	30.7	29.1	28.1	975	92.3	92.9	<b>92.9</b>	0.68	0.76	<b>0.80</b>	2.0	8.5	2.1	210	60	73	0.3	147
WXF4-200L1-6	18.5	37.6	35.7	34.4	980	92.9	93.4	<b>93.4</b>	0.68	0.76	<b>0.80</b>	2.0	8.5	2.1	230	60	73	0.4	180
WXF4-200L2-6	22	44	41.8	40.3	980	93.2	93.7	<b>93.7</b>	0.70	0.77	<b>0.81</b>	2.0	8.5	2.1	260	60	73	0.52	214
WXF4-225M-6	30	59	56	54	980	93.7	94.2	<b>94.2</b>	0.71	0.81	<b>0.82</b>	2.0	8.3	2.1	340	61	74	1.1	292
WXF4-250M-6	37	72	68	66	985	93.9	94.5	<b>94.5</b>	0.71	0.81	<b>0.83</b>	2.0	8.3	2.1	445	62	76	1.4	359
WXF4-280S-6	45	87	83	80	985	93.9	94.8	<b>94.8</b>	0.72	0.81	<b>0.83</b>	2.0	8.5	2.0	595	64	78	2.8	436
WXF4-280M-6	55	105	99	96	985	94.2	95.1	<b>95.1</b>	0.73	0.81	<b>0.84</b>	2.0	8.5	2.0	645	64	78	3.5	533
WXF4-315S-6	75	142	135	130	990	94.7	95.4	<b>95.4</b>	0.74	0.81	<b>0.84</b>	1.6	8.0	2.0	985	69	83	3.8	723
WXF4-315M-6	90	168	160	154	990	94.9	95.6	<b>95.6</b>	0.74	0.81	<b>0.85</b>	1.6	8.0	2.0	1100	69	83	4.5	868
WXF4-315L1-6	110	205	195	188	990	94.9	95.8	<b>95.8</b>	0.74	0.81	<b>0.85</b>	1.6	8.0	2.0	1180	69	83	5.5	1061
WXF4-315L2-6	132	243	231	222	990	95.1	96.0	<b>96.0</b>	0.74	0.83	<b>0.86</b>	1.6	8.0	2.0	1310	69	83	6.5	1273
WXF4-355M1-6	160	294	279	269	995	95.7	96.2	<b>96.2</b>	0.76	0.84	<b>0.86</b>	1.6	8.0	2.0	1840	70	85	10	1536
WXF4-355M2-6	185	339	322	311	995	95.8	96.3	<b>96.3</b>	0.76	0.84	<b>0.86</b>	1.6	8.0	2.0	2030	70	85	13	1776
WXF4-355M3-6	200	367	349	336	995	95.8	96.3	<b>96.3</b>	0.76	0.84	<b>0.86</b>	1.6	8.0	2.0	2030	70	85	13	1920
WXF4-355L1-6	220	399	379	365	995	95.9	96.4	<b>96.4</b>	0.82	0.85	<b>0.87</b>	1.6	8.0	2.0	2240	76	85	14	2112
WXF4-355L2-6	250	458	435	419	995	96.0	96.5	<b>96.5</b>	0.82	0.85	<b>0.86</b>	1.6	8.0	2.0	2240	76	85	15	2399
WXF4-355L1-6	280	538	511	492	995	96.0	96.5	<b>96.5</b>	0.70	0.77	<b>0.82</b>	1.6	8.0	2.0	2345	76	91	16	2687

WXF4 High temperature motors (200°C to 400°C ) - 8P 50Hz IE4

Type	Power	Current(A)			Speed	Efficiency (%)			Power factor			Locked-rotor torque Rated torque	Locked-rotor current Rated current	Maximum torque Rated torque	Weight (kg)	Noise		Moment of inertia (kg·m <sup>2</sup> )	Torque (N.m)
	kW	I <sub>N</sub> 380V	I <sub>N</sub> 400V	I <sub>N</sub> 415V	r/min	50%	75%	100%	50%	75%	100%					L <sub>PA</sub> dB(A)	L <sub>WA</sub> dB(A)		
WXF4-80M1-8	0.18	0.67	0.63	0.61	695	64.7	66.4	<b>67.2</b>	0.43	0.54	<b>0.61</b>	2.0	7.5	1.9	15	40	52	0.0021	2.47
WXF4-80M2-8	0.25	0.88	0.84	0.81	695	68.3	70.0	<b>70.8</b>	0.43	0.54	<b>0.61</b>	2.0	7.9	1.9	17	40	52	0.0023	3.44
WXF4-90S-8	0.37	1.24	1.18	1.14	700	71.8	73.4	<b>74.3</b>	0.44	0.55	<b>0.61</b>	2.0	8.3	1.9	27	44	56	0.0062	5
WXF4-90L-8	0.55	1.78	1.69	1.63	700	74.5	76.1	<b>77.0</b>	0.44	0.55	<b>0.61</b>	2.0	7.4	2.0	30	44	56	0.0081	7.5
WXF4-100L1-8	0.75	2.2	2.09	2.02	710	75.9	86.2	<b>78.4</b>	0.49	0.60	<b>0.66</b>	2.0	7.0	2.0	36	47	59	0.011	10.1
WXF4-100L2-8	1.1	3.09	2.93	2.83	710	78.3	81.8	<b>80.8</b>	0.50	0.61	<b>0.67</b>	2.0	7.0	2.0	40	47	59	0.012	14.8
WXF4-112M-8	1.5	4	3.8	3.66	710	81.4	83.5	<b>82.6</b>	0.52	0.63	<b>0.69</b>	2.0	7.0	2.0	47	49	61	0.022	20.2
WXF4-132S-8	2.2	5.7	5.4	5.2	720	83.3	85.3	<b>84.5</b>	0.54	0.64	<b>0.70</b>	1.8	7.5	2.0	62	52	64	0.027	29.2
WXF4-132M-8	3	7.6	7.2	6.9	720	84.7	86.7	<b>85.9</b>	0.54	0.64	<b>0.70</b>	1.8	7.8	2.0	73	52	64	0.03	39.8
WXF4-160M1-8	4	9.8	9.3	9	730	86.0	87.5	<b>87.1</b>	0.56	0.65	<b>0.71</b>	1.8	7.9	2.0	115	55	68	0.12	52
WXF4-160M2-8	5.5	13.1	12.5	12	730	87.4	88.7	<b>88.3</b>	0.57	0.66	<b>0.72</b>	1.8	8.1	2.0	126	55	68	0.13	72
WXF4-160L-8	7.5	17.2	16.4	15.8	730	88.4	89.7	<b>89.3</b>	0.59	0.67	<b>0.74</b>	1.8	7.8	2.0	148	55	68	0.18	98
WXF4-180L-8	11	25	23.7	22.9	735	89.5	90.4	<b>90.4</b>	0.59	0.67	<b>0.74</b>	1.8	7.9	2.0	195	57	70	0.28	143
WXF4-200L-8	15	33.3	31.7	30.5	735	90.1	91.2	<b>91.2</b>	0.61	0.70	<b>0.75</b>	1.8	8.0	2.0	245	60	73	0.42	195
WXF4-225S-8	18.5	40.9	38.8	37.4	740	90.6	91.7	<b>91.7</b>	0.61	0.70	<b>0.75</b>	1.8	8.1	2.0	285	60	73	0.55	239
WXF4-225M-8	22	47.8	45.4	43.7	740	91.1	92.1	<b>92.1</b>	0.62	0.71	<b>0.76</b>	1.8	8.3	2.0	325	60	73	1	284
WXF4-250M-8	30	64	61	58	740	91.6	92.7	<b>92.7</b>	0.64	0.72	<b>0.77</b>	1.8	7.9	2.0	420	61	75	1.4	387
WXF4-280S-8	37	77	74	71	740	92.1	93.1	<b>93.1</b>	0.64	0.73	<b>0.78</b>	1.8	7.9	2.0	550	62	76	2.8	478
WXF4-280M-8	45	94	89	86	740	92.3	93.4	<b>93.4</b>	0.65	0.73	<b>0.78</b>	1.8	7.9	2.0	605	62	76	3.5	581
WXF4-315S-8	55	111	106	102	745	92.8	93.7	<b>93.7</b>	0.69	0.75	<b>0.80</b>	1.6	8.2	2.0	960	68	82	3.6	705
WXF4-315M-8	75	151	144	138	745	93.3	94.2	<b>94.2</b>	0.69	0.75	<b>0.80</b>	1.6	7.6	2.0	1040	68	82	4.4	961
WXF4-315L1-8	90	179	170	164	745	93.3	94.4	<b>94.4</b>	0.71	0.77	<b>0.81</b>	1.6	7.7	2.0	1160	68	82	5.4	1154
WXF4-315L2-8	110	218	207	200	745	93.6	94.7	<b>94.7</b>	0.71	0.77	<b>0.81</b>	1.6	7.7	2.0	1280	68	82	6	1410
WXF4-355M1-8	132	261	248	239	745	93.8	94.9	<b>94.9</b>	0.72	0.78	<b>0.81</b>	1.6	7.7	2.0	1820	75	90	10	1692
WXF4-355M2-8	160	312	296	285	745	94.1	95.1	<b>95.1</b>	0.74	0.80	<b>0.82</b>	1.6	7.7	2.0	1960	75	90	13	2051
WXF4-355L-8	200	388	369	356	745	94.3	95.4	<b>95.4</b>	0.74	0.80	<b>0.82</b>	1.6	7.8	2.0	2105	75	90	13	2564

### WXF3 High temperature motors (200°C to 400°C) - 2P 50Hz IE3

Type	Power	Current(A)			Speed	Efficiency (%)			Power factor			Locked-rotor torque Rated torque	Locked-rotor current Rated current	Maximum torque Rated torque	Weight (kg)	Noise		Moment of inertia (kg·m <sup>2</sup> )	Torque (N.m)
	kW	I <sub>N</sub> 380V	I <sub>N</sub> 400V	I <sub>N</sub> 415V	r/min	50%	75%	100%	50%	75%	100%					L <sub>PA</sub> dB(A)	L <sub>WA</sub> dB(A)		
WXF3-71M1-2	0.37	0.91	0.86	0.83	2800	75.8	76.5	<b>76.4</b>	0.72	0.77	<b>0.81</b>	2.2	6.1	2.3	15	50	62	0.00065	1.26
WXF3-71M2-2	0.55	1.31	1.24	1.2	2800	77.8	78.6	<b>78.4</b>	0.73	0.79	<b>0.82</b>	2.2	6.1	2.3	16	50	62	0.00078	1.88
WXF3-80M1-2	0.75	1.72	1.64	1.58	2860	79.3	81.1	<b>80.7</b>	0.73	0.79	<b>0.82</b>	2.3	7.0	2.3	14	50	62	0.00099	2.5
WXF3-80M2-2	1.1	2.43	2.31	2.23	2880	79.6	82.5	<b>82.7</b>	0.73	0.76	<b>0.83</b>	2.2	7.3	2.3	15	50	62	0.0013	3.65
WXF3-90S-2	1.5	3.22	3.06	2.95	2885	84.1	84.9	<b>84.2</b>	0.74	0.81	<b>0.84</b>	2.2	7.6	2.3	23	55	67	0.0014	4.97
WXF3-90L-2	2.2	4.58	4.35	4.19	2870	85.8	86.5	<b>85.9</b>	0.74	0.82	<b>0.85</b>	2.2	7.6	2.3	26	55	67	0.0016	7.3
WXF3-100L-2	3	6	5.7	5.5	2900	86.2	87.4	<b>87.1</b>	0.79	0.84	<b>0.87</b>	2.2	7.8	2.3	37	62	74	0.0053	9.9
WXF3-112M-2	4	7.8	7.4	7.2	2900	88.7	89.2	<b>88.1</b>	0.78	0.85	<b>0.88</b>	2.2	8.3	2.3	41	65	77	0.0069	13.2
WXF3-132S1-2	5.5	10.6	10.1	9.7	2920	88.9	89.6	<b>89.2</b>	0.78	0.85	<b>0.88</b>	2.0	8.3	2.3	59	67	79	0.014	18
WXF3-132S2-2	7.5	14.4	13.7	13.2	2905	89.9	90.6	<b>90.1</b>	0.79	0.85	<b>0.88</b>	2.0	7.9	2.3	67	67	79	0.018	24.7
WXF3-160M1-2	11	20.6	19.6	18.9	2940	89.9	91.1	<b>91.2</b>	0.78	0.86	<b>0.89</b>	2.0	8.1	2.3	117	68	81	0.046	35.7
WXF3-160M2-2	15	27.9	26.5	25.5	2930	91.3	92.1	<b>91.9</b>	0.79	0.86	<b>0.89</b>	2.0	8.1	2.3	122	68	81	0.053	48.9
WXF3-160L-2	18.5	34.2	32.5	31.3	2930	92.2	92.7	<b>92.4</b>	0.81	0.87	<b>0.89</b>	2.0	8.2	2.3	134	68	81	0.063	60
WXF3-180M-2	22	40.5	38.5	37.1	2945	92.1	92.9	<b>92.7</b>	0.81	0.87	<b>0.89</b>	2.0	8.2	2.3	168	70	83	0.092	71
WXF3-200L1-2	30	55	52	50	2970	91.3	92.9	<b>93.3</b>	0.80	0.87	<b>0.89</b>	2.0	7.6	2.3	253	71	84	0.18	96
WXF3-200L2-2	37	67	64	62	2970	91.8	93.3	<b>93.7</b>	0.78	0.86	<b>0.89</b>	2.0	7.6	2.3	271	71	84	0.22	119
WXF3-225M-2	45	81	77	74	2970	92.4	94.0	<b>94.0</b>	0.83	0.88	<b>0.90</b>	2.0	7.7	2.3	323	73	86	0.36	145
WXF3-250M-2	55	98	94	90	2970	93.0	94.3	<b>94.3</b>	0.78	0.86	<b>0.90</b>	2.0	7.7	2.3	417	75	89	0.45	177
WXF3-280S-2	75	134	127	122	2980	93.5	94.7	<b>94.7</b>	0.83	0.87	<b>0.90</b>	1.8	7.1	2.3	530	77	91	0.82	240
WXF3-280M-2	90	160	152	146	2980	93.3	95.0	<b>95.0</b>	0.80	0.87	<b>0.90</b>	1.8	7.1	2.3	665	77	91	1	288
WXF3-315S-2	110	195	185	179	2985	93.8	95.2	<b>95.2</b>	0.86	0.89	<b>0.90</b>	1.8	7.1	2.3	944	78	92	1.4	352
WXF3-315M-2	132	234	222	214	2985	94.0	95.4	<b>95.4</b>	0.84	0.87	<b>0.90</b>	1.8	7.1	2.3	1054	78	92	1.5	422
WXF3-315L1-2	160	279	265	256	2985	94.7	95.6	<b>95.6</b>	0.85	0.88	<b>0.91</b>	1.8	7.2	2.3	1149	78	92	2	512
WXF3-315L2-2	185	323	307	296	2985	94.6	95.7	<b>95.7</b>	0.86	0.88	<b>0.91</b>	1.8	7.2	2.2	1209	78	92	2.2	592
WXF3-315L3-2	200	349	331	319	2985	95.2	95.8	<b>95.8</b>	0.87	0.89	<b>0.91</b>	1.8	7.2	2.2	1249	78	92	2.4	640
WXF3-355M1-2	220	383	364	351	2990	95.5	95.8	<b>95.8</b>	0.87	0.89	<b>0.91</b>	1.6	7.2	2.2	1699	85	100	4	703
WXF3-355M2-2	250	436	414	399	2990	95.4	95.8	<b>95.8</b>	0.88	0.89	<b>0.91</b>	1.6	7.2	2.2	1716	85	100	4.7	798
WXF3-355L1-2	280	488	464	447	2990	94.8	95.8	<b>95.8</b>	0.88	0.89	<b>0.91</b>	1.6	7.2	2.2	2068	85	100	4.3	894
WXF3-355L2-2	315	549	522	503	2990	95.3	95.8	<b>95.8</b>	0.88	0.89	<b>0.91</b>	1.6	7.2	2.2	2091	85	100	5.7	1006
WXF3-3551-2	355	619	588	567	2990	95.3	95.8	<b>95.8</b>	0.88	0.89	<b>0.91</b>	1.6	7.2	2.2	2406	89	104	6.5	1134
WXF3-3552-2	375	654	621	598	2990	95.3	95.8	<b>95.8</b>	0.88	0.89	<b>0.91</b>	1.6	7.2	2.2	2419	89	104	6.5	1198

WXF3 High temperature motors (200°C to 400°C ) - 4P 50Hz IE3

Type	Power	Current(A)			Speed	Efficiency (%)			Power factor			Locked-rotor torque Rated torque	Locked-rotor current Rated current	Maximum torque Rated torque	Weight (kg)	Noise		Moment of inertia (kg·m <sup>2</sup> )	Torque (N.m)
	kW	I <sub>N</sub> 380V	I <sub>N</sub> 400V	I <sub>N</sub> 415V	r/min	50%	75%	100%	50%	75%	100%					L <sub>PA</sub> dB(A)	L <sub>WA</sub> dB(A)		
WXF3-71M1-4	0.25	0.73	0.69	0.67	1400	69.7	70.6	<b>70.5</b>	0.57	0.67	<b>0.74</b>	2.1	5.5	2.2	14	43	55	0.0014	1.71
WXF3-71M2-4	0.37	1.03	0.98	0.94	1400	71.9	72.8	<b>72.8</b>	0.57	0.68	<b>0.75</b>	2.1	5.5	2.2	14.5	43	55	0.0016	2.52
WXF3-80M1-4	0.55	1.38	1.31	1.26	1425	77.9	80.8	<b>80.8</b>	0.57	0.68	<b>0.75</b>	2.3	6.6	2.3	18	44	56	0.0018	3.69
WXF3-80M2-4	0.75	1.84	1.75	1.69	1425	79.6	82.4	<b>82.5</b>	0.57	0.69	<b>0.75</b>	2.3	6.6	2.3	19	44	56	0.0023	5
WXF3-90S-4	1.1	2.61	2.48	2.39	1430	83.2	84.6	<b>84.1</b>	0.56	0.69	<b>0.76</b>	2.3	6.8	2.3	23	47	59	0.0034	7.3
WXF3-90L-4	1.5	3.47	3.3	3.18	1425	84.7	85.8	<b>85.3</b>	0.58	0.70	<b>0.77</b>	2.3	7.0	2.3	26	47	59	0.0043	10.1
WXF3-100L1-4	2.2	4.76	4.52	4.36	1445	84.8	86.8	<b>86.7</b>	0.64	0.75	<b>0.81</b>	2.3	7.6	2.3	38	52	64	0.01	14.5
WXF3-100L2-4	3	6.3	6	5.8	1420	85.7	87.7	<b>87.7</b>	0.65	0.76	<b>0.82</b>	2.3	7.6	2.3	43	52	64	0.014	20.2
WXF3-112M-4	4	8.4	7.9	7.7	1450	88.5	89.2	<b>88.6</b>	0.69	0.78	<b>0.82</b>	2.2	7.8	2.3	48	53	65	0.02	26.3
WXF3-132S-4	5.5	11.2	10.7	10.3	1460	89.3	90.0	<b>89.6</b>	0.67	0.77	<b>0.83</b>	2.0	7.9	2.3	69	59	71	0.032	36
WXF3-132M-4	7.5	15	14.3	13.7	1445	90.9	91.2	<b>90.4</b>	0.70	0.80	<b>0.84</b>	2.0	7.5	2.3	77	59	71	0.036	49.6
WXF3-160M-4	11	21.5	20.4	19.7	1470	90.7	91.6	<b>91.4</b>	0.70	0.80	<b>0.85</b>	2.2	7.7	2.3	120	60	73	0.089	71
WXF3-160L-4	15	28.8	27.3	26.3	1470	92.0	92.5	<b>92.1</b>	0.74	0.82	<b>0.86</b>	2.2	7.8	2.3	133	60	73	0.11	97
WXF3-180M-4	18.5	35.3	33.5	32.3	1475	92.0	92.8	<b>92.6</b>	0.71	0.81	<b>0.86</b>	2.0	7.8	2.3	172	63	76	0.17	120
WXF3-180L-4	22	41.8	39.7	38.3	1475	92.2	93.0	<b>93.0</b>	0.72	0.82	<b>0.86</b>	2.0	7.8	2.3	195	63	76	0.2	142
WXF3-200L-4	30	57	54	52	1475	92.7	93.6	<b>93.6</b>	0.76	0.83	<b>0.86</b>	2.0	7.3	2.3	268	63	76	0.42	194
WXF3-225S-4	37	70	66	64	1480	92.4	93.9	<b>93.9</b>	0.74	0.82	<b>0.86</b>	2.0	7.4	2.3	299	65	78	0.46	239
WXF3-225M-4	45	84	80	77	1480	92.8	94.2	<b>94.2</b>	0.75	0.82	<b>0.86</b>	2.0	7.4	2.3	337	65	78	0.53	290
WXF3-250M-4	55	103	98	94	1480	93.0	94.6	<b>94.6</b>	0.77	0.82	<b>0.86</b>	2.2	7.4	2.3	432	65	79	0.84	355
WXF3-280S-4	75	136	129	125	1485	93.3	95.0	<b>95.0</b>	0.78	0.85	<b>0.88</b>	2.0	6.9	2.3	576	66	80	1.5	482
WXF3-280M-4	90	163	155	149	1485	93.6	95.2	<b>95.2</b>	0.76	0.83	<b>0.88</b>	2.0	6.9	2.3	661	66	80	1.8	579
WXF3-315S-4	110	197	187	180	1490	93.6	95.4	<b>95.4</b>	0.82	0.86	<b>0.89</b>	2.0	7.0	2.2	982	74	88	2.9	705
WXF3-315M-4	132	236	224	216	1490	94.8	95.6	<b>95.6</b>	0.82	0.87	<b>0.89</b>	2.0	7.0	2.2	1015	74	88	3.3	846
WXF3-315L1-4	160	285	271	261	1490	95.2	95.8	<b>95.8</b>	0.84	0.86	<b>0.89</b>	2.0	7.1	2.2	1050	74	88	3.9	1026
WXF3-315L2-4	185	329	313	302	1490	95.3	95.3	<b>95.9</b>	0.83	0.86	<b>0.89</b>	2.0	7.1	2.2	1087	74	88	5.1	1186
WXF3-315L3-4	200	352	334	322	1490	95.8	96.0	<b>96.0</b>	0.86	0.88	<b>0.90</b>	2.0	7.1	2.2	1111	74	88	5.1	1282
WXF3-355M1-4	220	391	372	358	1495	95.8	96.0	<b>96.0</b>	0.84	0.87	<b>0.89</b>	2.0	7.1	2.2	1527	80	95	8.9	1405
WXF3-355M2-4	250	440	418	403	1495	95.6	96.0	<b>96.0</b>	0.85	0.88	<b>0.90</b>	2.0	7.1	2.2	1547	80	95	8.2	1597
WXF3-355L1-4	280	492	468	451	1495	95.4	96.0	<b>96.0</b>	0.85	0.88	<b>0.90</b>	2.0	7.1	2.2	1670	80	95	11	1789
WXF3-355L2-4	315	554	526	507	1495	94.9	96.0	<b>96.0</b>	0.86	0.87	<b>0.90</b>	2.0	7.1	2.2	1827	80	95	9.2	2012
WXF3-3551-4	355	638	607	585	1495	94.9	96.0	<b>96.0</b>	0.84	0.85	<b>0.88</b>	1.7	7.0	2.2	2012	87	102	10	2268
WXF3-3552-4	375	674	641	618	1495	94.9	96.0	96.0	0.84	0.85	0.88	1.7	7.0	2.2	2307	87	102	12	2395

### WXF3 High temperature motors (200°C to 400°C) - 6P 50Hz IE3

Type	Power kW	Current(A)			Speed r/min	Efficiency (%)			Power factor			Locked- rotor torque Rated torque	Locked-rotor current Rated current	Maximum torque Rated torque	Weight (kg)	Noise		Moment of inertia (kg·m <sup>2</sup> )	Torque (N.m)
		I <sub>N</sub> 380V	I <sub>N</sub> 400V	I <sub>N</sub> 415V		50%	75%	100%	50%	75%	100%					L <sub>PA</sub> dB(A)	L <sub>WA</sub> dB(A)		
WXF3-71M1-6	0.18	0.66	0.63	0.61	900	62.1	62.9	<b>62.9</b>	0.48	0.61	<b>0.66</b>	1.9	4.5	2	14	42	54	0.0013	1.91
WXF3-71M2-6	0.25	0.84	0.8	0.77	900	65.8	66.8	<b>66.7</b>	0.49	0.61	<b>0.68</b>	1.9	4.5	2	15	42	54	0.0015	2.65
WXF3-80M1-6	0.37	1.09	1.04	1	925	72.7	74.8	<b>73.5</b>	0.50	0.62	<b>0.70</b>	2.0	6.0	2.1	17	42	54	0.0021	3.82
WXF3-80M2-6	0.55	1.5	1.43	1.38	925	77.0	78.6	<b>77.2</b>	0.53	0.65	<b>0.72</b>	2.0	6.0	2.1	19	42	54	0.0033	5.7
WXF3-90S-6	0.75	2.03	1.93	1.86	940	77.5	79.3	<b>78.9</b>	0.51	0.64	<b>0.71</b>	2.0	6.0	2.1	24	45	57	0.0055	7.6
WXF3-90L-6	1.1	2.83	2.69	2.59	945	81.1	82.1	<b>81.0</b>	0.55	0.67	<b>0.73</b>	2.0	6.0	2.1	26	45	57	0.0072	11.1
WXF3-100L-6	1.5	3.78	3.59	3.47	960	81.5	83.2	<b>82.5</b>	0.57	0.68	<b>0.73</b>	2.0	6.5	2.1	39	49	61	0.013	14.9
WXF3-112M-6	2.2	5.4	5.1	4.91	950	82.6	84.5	<b>84.3</b>	0.56	0.67	<b>0.74</b>	2.0	6.6	2.1	45	53	65	0.021	22.1
WXF3-132S-6	3	7.2	6.8	6.6	960	82.4	86.4	<b>85.6</b>	0.57	0.68	<b>0.74</b>	2.0	6.8	2.1	56	57	69	0.027	29.8
WXF3-132M1-6	4	9.5	9	8.7	960	86.4	87.3	<b>86.8</b>	0.57	0.68	<b>0.74</b>	2.0	6.8	2.1	69	57	69	0.034	39.8
WXF3-132M2-6	5.5	12.7	12	11.6	965	87.3	88.2	<b>88.0</b>	0.58	0.69	<b>0.75</b>	2.0	7.0	2.1	81	57	69	0.049	54
WXF3-160M-6	7.5	16.2	15.4	14.8	970	88.0	89.2	<b>89.1</b>	0.63	0.74	<b>0.79</b>	2.0	7.0	2.1	117	60	73	0.12	74
WXF3-160L-6	11	23.1	22	21.2	970	89.3	90.4	<b>90.3</b>	0.64	0.75	<b>0.80</b>	2.0	7.2	2.1	143	60	73	0.17	108
WXF3-180L-6	15	30.9	29.3	28.2	975	90.5	91.4	<b>91.2</b>	0.69	0.78	<b>0.81</b>	2.0	7.3	2.1	194	60	73	0.27	147
WXF3-200L1-6	18.5	37.8	35.9	34.7	980	90.5	91.7	<b>91.7</b>	0.69	0.77	<b>0.81</b>	2.0	7.3	2.1	235	60	73	0.4	180
WXF3-200L2-6	22	44.8	42.5	41	980	91.2	92.2	<b>92.2</b>	0.68	0.77	<b>0.81</b>	2.0	7.4	2.1	255	60	73	0.47	214
WXF3-225M-6	30	59	56	54	980	91.8	92.9	<b>92.9</b>	0.78	0.81	<b>0.83</b>	2.0	6.9	2.1	339	61	74	0.96	292
WXF3-250M-6	37	72	68	66	985	92.6	93.3	<b>93.3</b>	0.72	0.80	<b>0.84</b>	2.0	7.1	2.1	437	62	76	1.3	359
WXF3-280S-6	45	86	82	79	985	92.0	93.7	<b>93.7</b>	0.78	0.82	<b>0.85</b>	2.0	7.3	2.0	511	64	78	2.6	436
WXF3-280M-6	55	103	98	95	985	92.6	94.1	<b>94.1</b>	0.76	0.83	<b>0.86</b>	2.0	7.3	2.0	656	64	78	3.3	533
WXF3-315S-6	75	143	136	131	990	94.3	94.6	<b>94.6</b>	0.77	0.80	<b>0.84</b>	2.0	6.6	2.0	972	69	83	3.6	723
WXF3-315M-6	90	170	161	155	990	94.2	94.9	<b>94.9</b>	0.73	0.80	<b>0.85</b>	2.0	6.7	2.0	1095	69	83	4.2	868
WXF3-315L1-6	110	207	196	189	990	94.8	95.1	<b>95.1</b>	0.76	0.81	<b>0.85</b>	2.0	6.7	2.0	1190	69	83	5.2	1061
WXF3-315L2-6	132	244	232	224	990	94.9	95.4	<b>95.4</b>	0.77	0.83	<b>0.86</b>	2.0	6.8	2.0	1265	69	83	6.2	1273
WXF3-355M1-6	160	296	281	271	995	95.3	95.6	<b>95.6</b>	0.85	0.84	<b>0.86</b>	1.8	6.8	2.0	1497	70	85	9.8	1536
WXF3-355M2-6	200	365	346	334	995	94.6	95.8	<b>95.8</b>	0.81	0.84	<b>0.87</b>	1.8	6.8	2.0	1674	70	85	12	1920
WXF3-355L1-6	220	406	385	371	995	94.6	95.8	<b>95.8</b>	0.82	0.84	<b>0.86</b>	1.8	6.8	2.0	2002	70	85	13	2112
WXF3-355L2-6	250	461	438	422	995	95.2	95.8	<b>95.8</b>	0.82	0.85	<b>0.86</b>	1.8	6.8	2.0	2022	76	85	14	2399
WXF3-3551-6	280	516	491	473	995	95.2	95.8	<b>95.8</b>	0.82	0.85	<b>0.86</b>	1.8	6.8	2.0	2047	76	91	15	2687
WXF3-3552-6	315	581	552	532	995	95.2	95.8	<b>95.8</b>	0.82	0.85	<b>0.86</b>	1.8	6.8	2.0	2112	76	91	16	3023

WXF3 High temperature motors (200°C to 400°C ) - 8P 50Hz IE3

Type	Power	Current(A)			Speed	Efficiency (%)			Power factor			Locked-rotor torque Rated torque	Locked-rotor current Rated current	Maximum torque Rated torque	Weight (kg)	Noise		Moment of inertia (kg·m²)	Torque (N.m)
	kW	I <sub>N</sub> 380V	I <sub>N</sub> 400V	I <sub>N</sub> 415V	r/min	50%	75%	100%	50%	75%	100%					L <sub>PA</sub> dB(A)	L <sub>WA</sub> dB(A)		
WXF3-80M1-8	0.18	0.76	0.73	0.7	695	54.6	59.1	<b>58.7</b>	0.40	0.50	<b>0.61</b>	1.8	3.3	1.9	17	40	52	0.0033	2.47
WXF3-80M2-8	0.25	0.97	0.92	0.89	695	59.8	64.2	<b>64.1</b>	0.39	0.50	<b>0.61</b>	1.8	3.3	1.9	19	40	52	0.004	3.44
WXF3-90S-8	0.37	1.33	1.26	1.22	700	67.1	71.1	<b>69.3</b>	0.42	0.54	<b>0.61</b>	1.8	4.0	1.9	22	44	56	0.0049	5
WXF3-90L-8	0.55	1.88	1.78	1.72	700	69.7	73.3	<b>73.0</b>	0.43	0.55	<b>0.61</b>	1.8	4.0	2.0	25	44	56	0.0061	7.5
WXF3-100L1-8	0.75	2.27	2.15	2.08	710	74.3	76.0	<b>75.0</b>	0.53	0.64	<b>0.67</b>	1.8	4.0	2.0	34	47	59	0.013	10.1
WXF3-100L2-8	1.1	3.12	2.96	2.85	710	77.3	78.2	<b>77.7</b>	0.54	0.67	<b>0.69</b>	1.8	5.0	2.0	38	47	59	0.016	14.8
WXF3-112M-8	1.5	4.14	3.94	3.79	710	79.2	81.3	<b>79.7</b>	0.53	0.65	<b>0.69</b>	1.8	5.0	2.0	41	49	61	0.023	20.2
WXF3-132S-8	2.2	5.7	5.5	5.3	715	81.2	82.2	<b>81.9</b>	0.52	0.65	<b>0.71</b>	1.8	6.0	2.0	58	52	64	0.03	29.4
WXF3-132M-8	3	7.5	7.1	6.8	715	83.1	84.0	<b>83.5</b>	0.50	0.63	<b>0.73</b>	1.8	6.0	2.0	73	52	64	0.04	40.1
WXF3-160M1-8	4	9.8	9.3	9	730	85.2	86.3	<b>84.8</b>	0.52	0.65	<b>0.73</b>	1.9	6.0	2.0	102	55	68	0.092	52
WXF3-160M2-8	5.5	13.1	12.4	12	725	86.4	86.5	<b>86.2</b>	0.55	0.69	<b>0.74</b>	2.0	6.0	2.0	109	55	68	0.11	72
WXF3-160L-8	7.5	17.4	16.5	15.9	730	87.1	88.0	<b>87.3</b>	0.54	0.67	<b>0.75</b>	2.0	6.0	2.0	130	55	68	0.14	98
WXF3-180L-8	11	24.8	23.6	22.7	730	88.6	89.6	<b>88.6</b>	0.56	0.68	<b>0.76</b>	2.0	6.6	2.0	193	57	70	0.28	144
WXF3-200L-8	15	33.5	31.8	30.6	735	89.4	90.0	<b>89.6</b>	0.58	0.70	<b>0.76</b>	2.0	6.6	2.0	259	60	73	0.56	195
WXF3-225S-8	18.5	41	39	37.6	735	90.0	90.9	<b>90.1</b>	0.61	0.72	<b>0.76</b>	1.9	6.6	2.0	287	60	73	0.86	240
WXF3-225M-8	22	47.3	44.9	43.3	735	90.4	91.2	<b>90.6</b>	0.62	0.73	<b>0.78</b>	1.9	6.6	2.0	330	60	73	0.97	286
WXF3-250M-8	30	63	60	58	740	91.2	91.6	<b>91.3</b>	0.65	0.76	<b>0.79</b>	1.9	6.6	2.0	452	61	75	1.5	387
WXF3-280S-8	37	78	74	71	740	91.8	92.2	<b>91.8</b>	0.70	0.80	<b>0.79</b>	1.9	6.6	2.0	484	62	76	2.8	478
WXF3-280M-8	45	94	89	86	740	92.1	92.5	<b>92.2</b>	0.70	0.80	<b>0.79</b>	1.9	6.6	2.0	623	62	76	3.3	581
WXF3-315S-8	55	112	106	102	740	92.1	92.7	<b>92.5</b>	0.66	0.77	<b>0.81</b>	1.8	6.6	2.0	927	68	82	5.2	710
WXF3-315M-8	75	151	144	138	740	92.7	93.4	<b>93.1</b>	0.68	0.78	<b>0.81</b>	1.8	6.6	2.0	1085	68	82	6.4	968
WXF3-315L1-8	90	179	170	163	740	92.9	93.6	<b>93.4</b>	0.68	0.78	<b>0.82</b>	1.8	6.6	2.0	1213	68	82	7.3	1161
WXF3-315L2-8	110	218	207	199	740	93.1	93.9	<b>93.7</b>	0.70	0.79	<b>0.82</b>	1.8	6.4	2.0	1288	68	82	8.4	1420
WXF3-355M1-8	132	260	247	238	745	93.3	94.0	<b>94.0</b>	0.71	0.79	<b>0.82</b>	1.8	6.4	2.0	1523	75	90	13	1692
WXF3-355M2-8	160	314	299	288	745	93.7	94.3	<b>94.3</b>	0.73	0.80	<b>0.82</b>	1.8	6.4	2.0	1640	75	90	15	2051
WXF3-355L-8	200	387	368	354	745	93.9	94.6	<b>94.6</b>	0.72	0.80	<b>0.83</b>	1.8	6.4	2.0	1993	75	90	17	2564

### WXF2 High temperature motors (200°C to 400°C ) - 2P 50Hz IE2

Type	Power	Current(A)			Speed	Efficiency (%)			Power factor			Locked-rotor torque Rated torque	Locked-rotor current Rated current	Maximum torque Rated torque	Weight (kg)	Noise		Moment of inertia (kg·m <sup>2</sup> )	Torque (N.m)
	kW	I <sub>N</sub> 380V	I <sub>N</sub> 400V	I <sub>N</sub> 415V	r/min	50%	75%	100%	50%	75%	100%					L <sub>PA</sub> dB(A)	L <sub>WA</sub> dB(A)		
WXF2-71M1-2	0.37	1	0.95	0.92	2800	66.5	69.8	<b>69.5</b>	0.61	0.73	<b>0.81</b>	2.2	6.1	2.2	15	50	62	0.00047	1.26
WXF2-71M2-2	0.55	1.38	1.35	1.26	2800	71.3	74.2	<b>74.1</b>	0.63	0.75	<b>0.82</b>	2.2	6.1	2.2	16	50	62	0.0006	1.88
WXF2-80M1-2	0.75	1.80	1.71	1.64	2855	77.1	77.8	<b>77.4</b>	0.73	0.79	<b>0.82</b>	2.3	6.8	2.3	13	50	62	0.00081	2.51
WXF2-80M2-2	1.1	2.53	2.4	2.32	2875	78.9	81.2	<b>79.6</b>	0.74	0.81	<b>0.83</b>	2.3	7.1	2.3	14	50	62	0.0012	3.65
WXF2-90S-2	1.5	3.34	3.17	3.06	2880	80.0	82.1	<b>81.3</b>	0.75	0.82	<b>0.84</b>	2.3	7.3	2.3	21	55	67	0.0013	4.97
WXF2-90L-2	2.2	4.73	4.49	4.33	2880	82.1	83.9	<b>83.2</b>	0.74	0.82	<b>0.85</b>	2.3	7.6	2.3	26	55	67	0.0016	7.3
WXF2-100L-2	3	6.2	5.9	5.7	2895	83.5	85.3	<b>84.6</b>	0.79	0.84	<b>0.87</b>	2.2	7.8	2.3	34	62	74	0.005	9.9
WXF2-112M-2	4	8	7.6	7.4	2900	84.9	86.5	<b>85.8</b>	0.78	0.85	<b>0.88</b>	2.2	8.1	2.3	39	65	77	0.0062	13.2
WXF2-132S1-2	5.5	10.9	10.4	10	2910	86.5	87.6	<b>87.0</b>	0.78	0.85	<b>0.88</b>	2.2	8.2	2.3	55	67	79	0.011	18
WXF2-132S2-2	7.5	14.5	13.8	13.3	2910	87.4	88.8	<b>88.1</b>	0.79	0.85	<b>0.89</b>	2.2	7.8	2.3	63	67	79	0.017	24.6
WXF2-160M1-2	11	21	20	19.2	2930	88.9	89.8	<b>89.4</b>	0.78	0.86	<b>0.89</b>	2.2	7.9	2.3	110	68	81	0.042	35.9
WXF2-160M2-2	15	28.4	26.9	26	2930	89.5	91.1	<b>90.3</b>	0.79	0.86	<b>0.89</b>	2.2	7.9	2.3	115	68	81	0.049	48.9
WXF2-160L-2	18.5	34.7	33	31.8	2930	90.1	91.7	<b>90.9</b>	0.81	0.87	<b>0.89</b>	2.2	8.0	2.3	136	68	81	0.063	60
WXF2-180M-2	22	41.1	39.1	37.7	2945	90.8	91.9	<b>91.3</b>	0.81	0.87	<b>0.89</b>	2.2	8.1	2.3	163	70	83	0.089	71
WXF2-200L1-2	30	56	53	51	2950	91.5	92.4	<b>92.0</b>	0.80	0.87	<b>0.89</b>	2.0	7.5	2.3	242	71	84	0.17	97
WXF2-200L2-2	37	68	65	63	2950	91.9	92.8	<b>92.5</b>	0.79	0.86	<b>0.89</b>	2.0	7.5	2.3	256	71	84	0.2	120
WXF2-225M-2	45	83	79	76	2960	92.3	92.9	<b>92.9</b>	0.80	0.87	<b>0.89</b>	2.2	7.5	2.3	318	73	86	0.36	145
WXF2-250M-2	55	101	96	92	2965	92.7	93.2	<b>93.2</b>	0.79	0.86	<b>0.89</b>	2.2	7.6	2.3	384	75	89	0.42	177
WXF2-280S-2	75	136	130	125	2970	93.3	93.8	<b>93.8</b>	0.80	0.87	<b>0.89</b>	1.8	6.9	2.3	504	77	91	0.8	241
WXF2-280M-2	90	163	155	150	2980	93.6	94.1	<b>94.1</b>	0.80	0.87	<b>0.89</b>	1.8	6.9	2.3	634	77	91	0.99	288
WXF2-315S-2	110	197	187	180	2985	93.7	94.3	<b>94.3</b>	0.81	0.88	<b>0.90</b>	1.8	7.0	2.2	886	78	92	1.3	352
WXF2-315M-2	132	236	224	216	2985	94.1	94.6	<b>94.6</b>	0.80	0.87	<b>0.90</b>	1.8	7.0	2.2	999	78	92	1.4	422
WXF2-315L1-2	160	282	268	258	2985	94.3	94.8	<b>94.8</b>	0.82	0.88	<b>0.91</b>	1.8	7.1	2.2	1140	78	92	2	512
WXF2-315L2-2	185	325	309	298	2985	94.4	94.9	<b>94.9</b>	0.81	0.87	<b>0.91</b>	1.8	7.1	2.2	1206	78	92	2.2	592
WXF2-315L3-2	200	351	334	322	2985	94.5	95.0	<b>95.0</b>	0.81	0.87	<b>0.91</b>	1.8	7.1	2.2	1246	78	92	2.4	640
WXF2-355M1-2	220	387	367	354	2990	94.5	95.0	<b>95.0</b>	0.81	0.87	<b>0.91</b>	1.6	7.1	2.2	1694	85	100	4	703
WXF2-355M2-2	250	439	417	402	2990	94.5	95.0	<b>95.0</b>	0.82	0.88	<b>0.91</b>	1.6	7.1	2.2	1711	85	100	4.7	798
WXF2-355L1-2	280	492	467	451	2990	94.5	95.0	<b>95.0</b>	0.82	0.88	<b>0.91</b>	1.6	7.2	2.2	2068	85	100	4.3	894
WXF2-355L2-2	315	554	526	507	2990	94.5	95.0	<b>95.0</b>	0.82	0.88	<b>0.91</b>	1.6	7.2	2.2	2091	85	100	5.7	1006
WXF2-3551-2	355	624	593	571	2990	94.5	95.0	<b>95.0</b>	0.82	0.88	<b>0.91</b>	1.6	7.5	2.2	2332	89	104	6.5	1134
WXF2-3552-2	375	659	626	603	2990	94.5	95.0	<b>95.0</b>	0.82	0.88	<b>0.91</b>	1.6	7.5	2.2	2350	89	104	6.5	1198

WXF2 High temperature motors (200°C to 400°C ) - 4P 50Hz IE2

Type	Power	Current(A)			Speed	Efficiency (%)			Power factor			Locked-rotor torque Rated torque	Locked-rotor current Rated current	Maximum torque Rated torque	Weight (kg)	Noise		Moment of inertia (kg·m <sup>2</sup> )	Torque (N.m)
	kW	I <sub>N</sub> 380V	I <sub>N</sub> 400V	I <sub>N</sub> 415V	r/min	50%	75%	100%	50%	75%	100%					LPA dB(A)	LWA dB(A)		
WXF2-71M1-4	0.25	0.75	0.71	0.69	1400	65.3	68.9	<b>68.5</b>	0.51	0.65	<b>0.74</b>	2.1	5.2	2.2	14	43	55	0.00106	1.71
WXF2-71M2-4	0.37	1.05	0.98	0.96	1400	72	73.5	<b>72.7</b>	0.54	0.67	<b>0.75</b>	2.1	5.2	2.2	14.5	43	55	0.00133	2.52
WXF2-80M1-4	0.55	1.45	1.37	1.32	1420	75.6	76.9	<b>77.1</b>	0.56	0.68	<b>0.75</b>	2.4	6.4	2.3	16	44	56	0.0015	3.7
WXF2-80M2-4	0.75	1.88	1.79	1.72	1420	78.6	80.1	<b>79.6</b>	0.56	0.69	<b>0.76</b>	2.3	6.4	2.3	18	44	56	0.002	5
WXF2-90S-4	1.1	2.67	2.53	2.44	1430	80.9	81.9	<b>81.4</b>	0.57	0.70	<b>0.77</b>	2.3	6.6	2.3	21	47	59	0.0028	7.3
WXF2-90L-4	1.5	3.53	3.35	3.23	1430	82.4	83.3	<b>82.8</b>	0.59	0.71	<b>0.78</b>	2.3	6.7	2.3	23	47	59	0.0034	10
WXF2-100L1-4	2.2	4.96	4.71	4.54	1440	83.8	84.9	<b>84.3</b>	0.64	0.75	<b>0.80</b>	2.3	7.3	2.3	35	52	64	0.0099	14.6
WXF2-100L2-4	3	6.6	6.3	6	1440	85.1	86.0	<b>85.5</b>	0.65	0.76	<b>0.81</b>	2.3	7.5	2.3	39	52	64	0.013	19.9
WXF2-112M-4	4	8.7	8.2	7.9	1445	86.2	87.1	<b>86.6</b>	0.65	0.76	<b>0.81</b>	2.3	7.5	2.3	45	53	65	0.02	26.4
WXF2-132S-4	5.5	11.6	11	10.6	1455	87.3	88.2	<b>87.7</b>	0.67	0.77	<b>0.82</b>	2.0	7.5	2.3	62	59	71	0.028	36.1
WXF2-132M-4	7.5	15.5	14.7	14.2	1455	88.2	89.2	<b>88.7</b>	0.68	0.79	<b>0.83</b>	2.0	7.3	2.3	73	59	71	0.031	49.2
WXF2-160M-4	11	22.4	21.3	20.5	1460	89.3	90.3	<b>89.8</b>	0.70	0.80	<b>0.83</b>	2.0	7.4	2.3	119	60	73	0.078	72
WXF2-160L-4	15	29.9	28.4	27.4	1460	90.0	91.1	<b>90.6</b>	0.71	0.81	<b>0.84</b>	2.0	7.5	2.3	137	60	73	0.099	98
WXF2-180M-4	18.5	36.3	34.4	33.2	1470	90.7	91.2	<b>91.2</b>	0.72	0.82	<b>0.85</b>	2.0	7.6	2.3	167	63	76	0.163	120
WXF2-180L-4	22	42.9	40.8	39.3	1470	91.1	91.6	<b>91.6</b>	0.72	0.82	<b>0.85</b>	2.1	7.7	2.3	185	63	76	0.15	143
WXF2-200L-4	30	58	55	53	1470	91.8	92.3	<b>92.3</b>	0.72	0.82	<b>0.85</b>	2.1	7.1	2.3	255	63	76	0.4	195
WXF2-225S-4	37	71	67	65	1480	92.2	92.7	<b>92.7</b>	0.73	0.82	<b>0.86</b>	2.1	7.3	2.3	288	65	78	0.41	239
WXF2-225M-4	45	85	81	78	1480	92.6	93.1	<b>93.1</b>	0.74	0.82	<b>0.86</b>	2.2	7.3	2.3	319	65	78	0.5	290
WXF2-250M-4	55	104	99	95	1480	93.0	93.5	<b>93.5</b>	0.75	0.82	<b>0.86</b>	2.2	7.3	2.3	421	65	79	0.81	355
WXF2-280S-4	75	139	132	128	1480	93.5	94.0	<b>94.0</b>	0.76	0.83	<b>0.87</b>	2.2	6.8	2.3	541	66	80	1.5	484
WXF2-280M-4	90	165	157	151	1480	93.7	94.2	<b>94.2</b>	0.77	0.84	<b>0.88</b>	2.2	6.9	2.3	657	66	80	1.8	581
WXF2-315S-4	110	199	189	182	1485	93.9	94.5	<b>94.5</b>	0.80	0.86	<b>0.89</b>	2.1	6.9	2.2	955	74	88	2.1	707
WXF2-315M-4	132	238	226	218	1485	94.2	94.7	<b>94.7</b>	0.82	0.87	<b>0.89</b>	2.1	6.9	2.2	1017	74	88	3.3	849
WXF2-315L1-4	160	285	270	261	1485	94.4	94.9	<b>94.9</b>	0.83	0.87	<b>0.90</b>	2.1	6.9	2.2	1055	74	88	3.9	1029
WXF2-315L2-4	185	329	312	301	1485	94.5	95.0	<b>95.0</b>	0.83	0.87	<b>0.90</b>	2.1	6.9	2.2	1092	74	88	5.1	1190
WXF2-315L3-4	200	355	337	325	1485	94.6	95.1	<b>95.1</b>	0.83	0.87	<b>0.90</b>	2.1	6.9	2.2	1116	74	88	5.1	1286
WXF2-355M1-4	220	391	371	358	1490	94.7	95.1	<b>95.1</b>	0.83	0.87	<b>0.90</b>	2.0	6.9	2.2	1522	80	95	8.3	1410
WXF2-355M2-4	250	444	422	406	1490	94.6	95.1	<b>95.1</b>	0.83	0.87	<b>0.90</b>	2.0	6.9	2.2	1542	80	95	8.3	1602
WXF2-355L1-4	280	497	472	455	1490	94.6	95.1	<b>95.1</b>	0.83	0.87	<b>0.90</b>	2.0	6.9	2.2	1663	80	95	9	1795
WXF2-355L2-4	315	559	531	512	1490	94.6	95.1	<b>95.1</b>	0.83	0.87	<b>0.90</b>	2.0	6.9	2.2	1820	80	95	9.2	2019
WXF2-355L1-4	355	637	605	584	1490	94.7	95.1	<b>95.1</b>	0.82	0.86	<b>0.89</b>	1.7	7.2	2.2	2008	87	102	10	2275
WXF2-355L2-4	375	673	639	616	1490	94.7	95.1	<b>95.1</b>	0.82	0.86	<b>0.89</b>	1.7	7.2	2.2	2308	87	102	12	2404

### WXF2 High temperature motors (200°C to 400°C ) - 6P 50Hz IE2

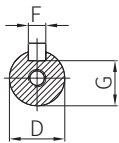
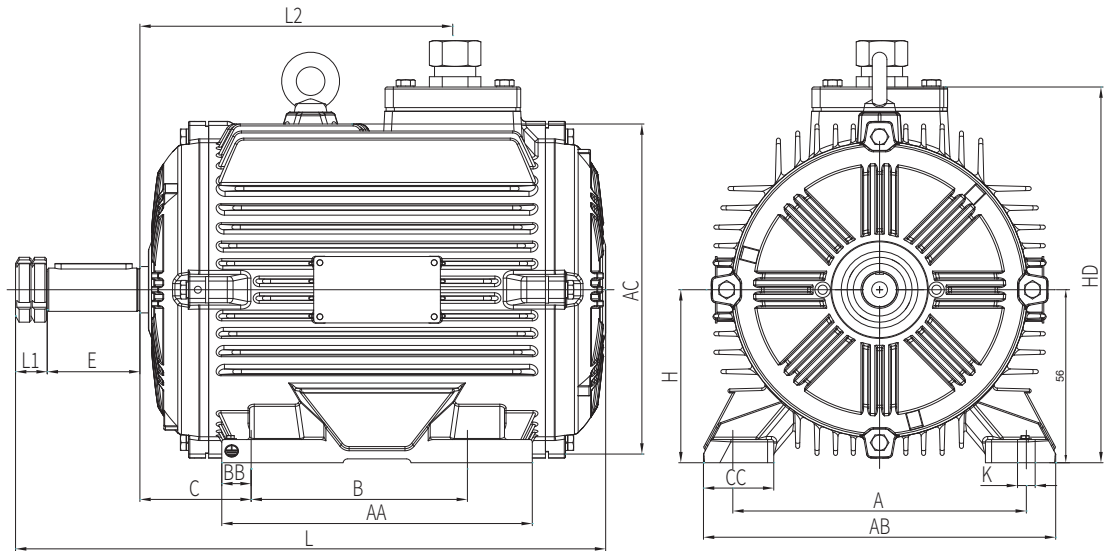
Type	Power	Current(A)			Speed	Efficiency (%)			Power factor			Locked-rotor torque Rated torque	Locked-rotor current Rated current	Maximum torque Rated torque	Weight (kg)	Noise		Moment of inertia (kg·m <sup>2</sup> )	Torque (N.m)
	kW	I <sub>N</sub> 380V	I <sub>N</sub> 400V	I <sub>N</sub> 415V	r/min	50%	75%	100%	50%	75%	100%					L <sub>PA</sub> dB(A)	L <sub>WA</sub> dB(A)		
WXF2-71M1-6	0.18	0.75	0.71	0.69	900	52.2	57	<b>56.6</b>	0.45	0.56	<b>0.66</b>	1.9	4	2	14	40	52	0.00122	1.91
WXF2-71M2-6	0.25	0.9	0.86	0.83	900	58.4	62.3	<b>61.6</b>	0.47	0.58	<b>0.68</b>	1.9	4	2	15	40	52	0.00138	2.65
WXF2-80M1-6	0.37	1.19	1.13	1.09	925	66.9	67.2	<b>67.6</b>	0.50	0.62	<b>0.70</b>	1.9	5.8	2.0	16	42	54	0.002	3.82
WXF2-80M2-6	0.55	1.59	1.51	1.45	925	72.4	72.7	<b>73.1</b>	0.50	0.62	<b>0.72</b>	1.9	5.8	2.1	17	42	54	0.003	5.7
WXF2-90S-6	0.75	2.11	2.01	1.94	935	75.4	76.3	<b>75.9</b>	0.51	0.64	<b>0.71</b>	2.0	5.8	2.1	22	42	57	0.005	7.7
WXF2-90L-6	1.1	2.97	2.82	2.72	935	77.6	78.6	<b>78.1</b>	0.52	0.65	<b>0.72</b>	2.0	5.9	2.1	25	45	57	0.007	11.2
WXF2-100L-6	1.5	3.97	3.77	3.63	940	79.3	80.3	<b>79.8</b>	0.52	0.65	<b>0.72</b>	2.0	5.9	2.1	36	49	61	0.013	15.2
WXF2-112M-6	2.2	5.7	5.4	5.2	945	81.4	82.3	<b>81.8</b>	0.53	0.65	<b>0.72</b>	2.0	6.2	2.1	42	53	65	0.019	22.2
WXF2-132S-6	3	7.6	7.2	7	950	82.8	83.8	<b>83.3</b>	0.53	0.65	<b>0.72</b>	2.0	6.4	2.1	53	57	69	0.027	30.2
WXF2-132M1-6	4	9.7	9.2	8.9	950	84.1	87.1	<b>84.6</b>	0.57	0.68	<b>0.74</b>	2.0	6.6	2.1	62	57	69	0.03	40.2
WXF2-132M2-6	5.5	13	12.3	11.9	950	85.6	86.5	<b>86.0</b>	0.58	0.69	<b>0.75</b>	2.0	6.8	2.1	75	57	69	0.041	55
WXF2-160M-6	7.5	16.8	15.9	15.3	960	86.8	87.7	<b>87.2</b>	0.61	0.72	<b>0.78</b>	2.0	6.8	2.1	110	60	73	0.099	75
WXF2-160L-6	11	23.9	22.7	21.8	965	88.3	89.2	<b>88.7</b>	0.62	0.73	<b>0.79</b>	2.0	6.9	2.1	135	60	73	0.17	109
WXF2-180L-6	15	31	29.4	28.4	970	89.3	90.2	<b>89.7</b>	0.68	0.77	<b>0.82</b>	2.0	7.3	2.1	189	60	73	0.25	148
WXF2-200L1-6	18.5	38.9	36.9	35.6	975	89.7	90.4	<b>90.4</b>	0.68	0.76	<b>0.80</b>	2.0	7.2	2.1	223	60	73	0.38	181
WXF2-200L2-6	22	45.4	43.1	41.6	975	90.4	90.9	<b>90.9</b>	0.68	0.77	<b>0.81</b>	2.0	7.3	2.1	242	60	73	0.4	215
WXF2-225M-6	30	61	58	56	980	91.2	91.7	<b>91.7</b>	0.70	0.78	<b>0.82</b>	2.0	6.8	2.1	328	61	74	0.9	292
WXF2-250M-6	37	73	70	67	985	91.7	92.2	<b>92.2</b>	0.71	0.79	<b>0.83</b>	2.0	7.0	2.1	423	62	76	1	359
WXF2-280S-6	45	87	82	79	985	92.2	92.7	<b>92.7</b>	0.73	0.80	<b>0.85</b>	2.0	7.2	2.0	467	64	78	2.1	436
WXF2-280M-6	55	104	99	96	985	92.6	93.1	<b>93.1</b>	0.75	0.82	<b>0.86</b>	2.0	7.2	2.0	597	64	78	2.9	533
WXF2-315S-6	75	145	138	133	990	93.2	93.7	<b>93.7</b>	0.74	0.80	<b>0.84</b>	2.0	6.5	2.0	925	69	83	3.4	723
WXF2-315M-6	90	171	163	157	990	93.6	94.0	<b>94.0</b>	0.73	0.80	<b>0.85</b>	2.0	6.6	2.0	1040	69	83	4	868
WXF2-315L1-6	110	209	198	191	990	94.0	94.3	<b>94.3</b>	0.74	0.81	<b>0.85</b>	2.0	6.6	2.0	1165	69	83	5	1061
WXF2-315L2-6	132	247	234	226	990	94.3	94.6	<b>94.6</b>	0.75	0.83	<b>0.86</b>	2.0	6.6	2.0	1233	69	83	6	1273
WXF2-355M1-6	160	298	283	273	995	94.3	94.8	<b>94.8</b>	0.75	0.83	<b>0.86</b>	2.0	6.7	2.0	1459	70	85	9.1	1536
WXF2-355M2-6	200	372	353	341	995	94.6	95.0	<b>95.0</b>	0.75	0.83	<b>0.86</b>	2.0	6.8	2.0	1617	70	85	12	1920
WXF2-355L1-6	220	409	389	375	995	94.6	95.0	<b>95.0</b>	0.75	0.83	<b>0.86</b>	2.0	6.8	2.0	1936	70	85	13	2112
WXF2-355L2-6	250	465	442	426	995	94.6	95.0	<b>95.0</b>	0.75	0.83	<b>0.86</b>	2.0	6.8	2.0	1956	76	91	14	2399
WXF2-3551-6	280	521	495	477	995	94.7	95.0	<b>95.0</b>	0.76	0.84	<b>0.86</b>	2.0	7.1	2.0	1981	76	91	15	2687
WXF2-3552-6	315	586	557	536	995	94.7	95.0	<b>95.0</b>	0.76	0.84	<b>0.86</b>	2.0	7.1	2.0	2046	76	91	16	3023

WXF2 High temperature motors (200°C to 400°C ) - 8P 50Hz IE2

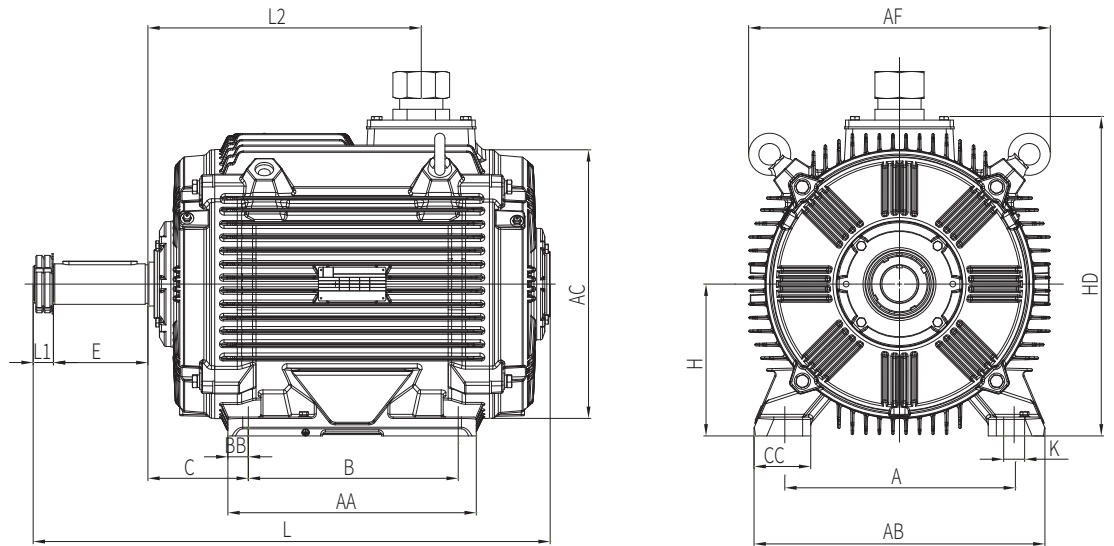
Type	Power	Current(A)			Speed	Efficiency (%)			Power factor			Locked-rotor torque Rated torque	Locked-rotor current Rated current	Maximum torque Rated torque	Weight (kg)	Noise		Moment of inertia (kg·m <sup>2</sup> )	Torque (N.m)
	kW	I <sub>N</sub> 380V	I <sub>N</sub> 400V	I <sub>N</sub> 415V	r/min	50%	75%	100%	50%	75%	100%					L <sub>PA</sub> dB(A)	L <sub>WA</sub> dB(A)		
WXF2-80M1-8	0.18	0.98	0.93	0.89	680	42.3	46.0	<b>45.9</b>	0.41	0.52	<b>0.61</b>	1.8	5.1	1.9	16	40	52	0.0027	2.53
WXF2-80M2-8	0.25	1.23	1.17	1.13	680	47.5	50.9	<b>50.6</b>	0.42	0.53	<b>0.61</b>	1.8	5.5	1.9	18	40	52	0.0033	3.51
WXF2-90S-8	0.37	1.64	1.56	1.5	700	56.0	57.4	<b>56.1</b>	0.50	0.63	<b>0.61</b>	1.8	6.0	1.9	22	44	56	0.0046	5
WXF2-90L-8	0.55	2.22	2.11	2.03	700	60.8	62.7	<b>61.7</b>	0.48	0.61	<b>0.61</b>	1.8	5.8	2.0	25	44	56	0.0058	7.5
WXF2-100L1-8	0.75	2.57	2.44	2.35	710	67.2	68.2	<b>66.2</b>	0.56	0.69	<b>0.67</b>	1.8	6.1	2.0	32	47	59	0.01	10.1
WXF2-100L2-8	1.1	3.42	3.25	3.13	710	71.3	72.3	<b>70.8</b>	0.56	0.69	<b>0.69</b>	1.8	6.1	2.0	35	47	59	0.012	14.8
WXF2-112M-8	1.5	4.39	4.17	4.02	715	73.8	75.2	<b>74.1</b>	0.53	0.66	<b>0.70</b>	1.8	6.4	2.0	39	49	61	0.019	20
WXF2-132S-8	2.2	6.1	5.8	5.6	720	78.5	79.0	<b>77.6</b>	0.57	0.70	<b>0.71</b>	1.8	6.4	2.0	58	52	64	0.028	29.2
WXF2-132M-8	3	7.8	7.4	7.1	720	81.1	81.5	<b>80.0</b>	0.58	0.70	<b>0.73</b>	1.8	6.8	2.0	69	52	64	0.034	39.8
WXF2-160M1-8	4	10.2	9.7	9.3	725	81.2	82.1	<b>81.9</b>	0.57	0.70	<b>0.73</b>	1.9	6.8	2.0	99	55	68	0.081	53
WXF2-160M2-8	5.5	13.5	12.8	12.3	725	83.5	84.2	<b>83.8</b>	0.59	0.71	<b>0.74</b>	1.9	6.7	2.0	106	55	68	0.094	72
WXF2-160L-8	7.5	17.8	16.9	16.3	725	85.6	86.2	<b>85.3</b>	0.60	0.72	<b>0.75</b>	1.9	6.4	2.0	124	55	68	0.12	99
WXF2-180L-8	11	25.6	24.4	23.5	730	85.8	87.0	<b>86.9</b>	0.58	0.70	<b>0.75</b>	2.0	6.5	2.0	186	57	70	0.24	144
WXF2-200L-8	15	34.1	32.4	31.2	735	87.4	88.3	<b>88.0</b>	0.60	0.72	<b>0.76</b>	2.0	6.6	2.0	246	60	73	0.49	195
WXF2-225S-8	18.5	41.7	39.7	38.2	735	88.2	88.9	<b>88.6</b>	0.62	0.73	<b>0.76</b>	1.9	6.6	2.0	272	60	73	0.75	240
WXF2-225M-8	22	48.1	45.7	44	735	88.3	89.3	<b>89.1</b>	0.64	0.74	<b>0.78</b>	1.9	6.6	2.0	313	60	73	0.83	286
WXF2-250M-8	30	64	61	59	735	89.6	90.1	<b>89.8</b>	0.67	0.77	<b>0.79</b>	1.9	6.5	2.0	433	61	75	1.4	390
WXF2-280S-8	37	79	75	72	740	89.9	90.5	<b>90.3</b>	0.70	0.79	<b>0.79</b>	1.9	6.5	2.0	474	62	76	2.6	478
WXF2-280M-8	45	95	91	87	740	90.4	90.9	<b>90.7</b>	0.72	0.81	<b>0.79</b>	1.9	6.5	2.0	603	62	76	2.9	581
WXF2-315S-8	55	113	108	104	740	90.0	91.0	<b>91.0</b>	0.68	0.78	<b>0.81</b>	1.8	6.6	2.0	895	68	82	4.7	710
WXF2-315M-8	75	154	146	141	740	90.6	91.6	<b>91.6</b>	0.69	0.79	<b>0.81</b>	1.8	6.1	2.0	1052	68	82	5.8	968
WXF2-315L1-8	90	181	172	166	740	90.9	91.9	<b>91.9</b>	0.69	0.79	<b>0.82</b>	1.8	6.2	2.0	1173	68	82	6.6	1161
WXF2-315L2-8	110	221	210	202	740	91.3	92.3	<b>92.3</b>	0.69	0.79	<b>0.82</b>	1.8	6.3	2.0	1240	68	82	7.5	1420
WXF2-355M1-8	132	264	251	242	745	91.6	92.6	<b>92.6</b>	0.69	0.78	<b>0.82</b>	1.8	6.3	2.0	1479	75	89	12	1692
WXF2-355M2-8	160	319	303	292	745	92.0	93.0	<b>93.0</b>	0.70	0.79	<b>0.82</b>	1.8	6.3	2.0	1568	75	89	13	2051
WXF2-355L-8	200	392	372	359	745	92.6	93.5	<b>93.5</b>	0.70	0.79	<b>0.83</b>	1.8	6.4	2.0	1945	75	89	16	2564

### Foot (B3) mounted - frame sizes 80 to 355

B3 mounting  
80-180



B3 mounting  
200-355



B3 mounting Frame sizes 80-355

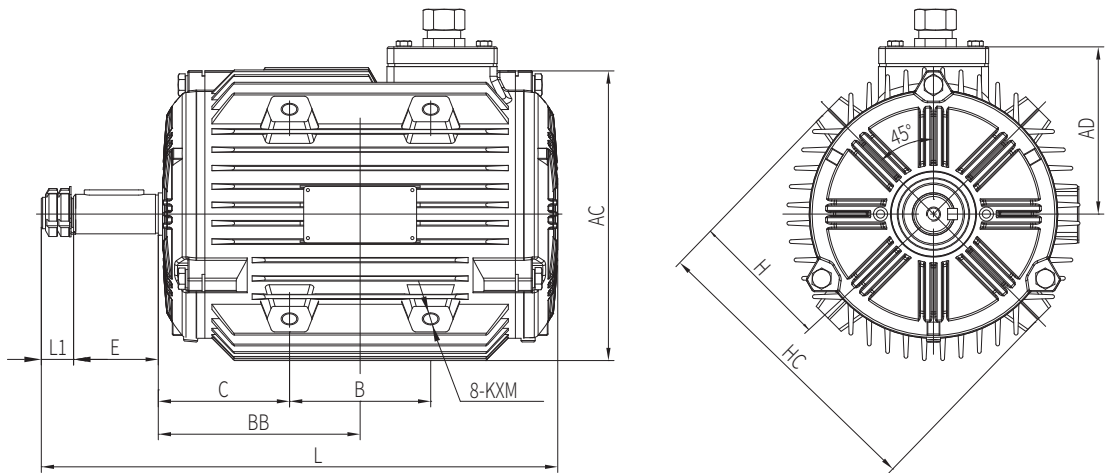
Frame	Poles	Mounting dimension (mm)										Boundary dimension (mm)									
		A	B	C	D	E	F	G	H	K	AB	AC	AF	HD	AA	BB	CC	L1	L2	L	
80M	2-8	125	100	50	19	40	6	15.5	80	10	157	163	-	190	146	15	32	20	142	275	
90S	2-8	140	100	56	24	50	8	20	90	10	172	177	-	205	153	16.6	37	25	153	315	
90L	2-8	140	125	56	24	50	8	20	90	10	172	177	-	205	175	16.6	37	25	175	330	
100L	2-8	160	140	63	28	60	8	24	100	12	200	208	-	230	198	19	45	25	207	375	
112M	2-8	190	140	70	28	60	8	24	112	12	228	226	-	260	201	19	45	25	200	400	
132S	2-8	216	140	89	38	80	10	33	132	12	262	252	-	280	184	21.5	56.5	25	218	422	
132M	2-8	216	178	89	38	80	10	33	132	12	262	252	-	280	222	21.5	56.5	25	256	460	
160M	2-8	254	210	108	42	110	12	37	160	14.5	314	318	-	355	280	46	65	25	280	556	
160L	2-8	254	254	108	42	110	12	37	160	14.5	314	318	-	355	324	46	65	25	320	600	
180M	2-8	279	241	121	48	110	14	42.5	180	14.5	349	360	-	395	297	26.5	68	25	322	622	
180L	2-8	279	279	121	48	110	14	42.5	180	14.5	349	360	-	395	335	26.5	68	25	360	660	
200L	2-8	318	305	133	55	110	16	49	200	18.5	388	396	432	435	380	30	84	30	380	725	
225S	2-8	356	286	149	60	140	18	53	225	18.5	431	442	467	480	368	43	84	30	380	741	
225M	2	356	311	149	55	110	16	49	225	18.5	431	442	467	480	368	30.5	84	30	405	736	
225M	4-8	356	311	149	60	140	18	53	225	18.5	431	442	467	480	368	30.5	84	30	405	766	
250M	2	406	349	168	60	140	18	53	250	24	484	488	502	525	421	43	80	30	446	829	
250M	4-8	406	349	168	65	140	18	58	250	24	484	488	502	525	421	43	80	30	446	829	
280S	2	457	368	190	65	140	18	58	280	24	542	547	583	585	460	55	84	30	504	888	
280S	4-8	457	368	190	75	140	20	67.5	280	24	542	547	583	585	460	55	84	35	504	893	
280M	2	457	419	190	65	140	18	58	280	24	542	547	583	585	515	58.5	84	30	542	936	
280M	4-8	457	419	190	75	140	20	67.5	280	24	542	547	583	585	515	58.5	84	35	542	941	
315S	2	508	406	216	65	140	18	58	315	28	628	631	670	675	540	46	115	30	611.5	1036	
315S	4-8	508	406	216	80	170	22	71	315	28	628	631	670	675	540	46	115	35	611.5	1071	
315M	2	508	457	216	65	140	18	58	315	28	628	631	670	675	640	46	115	30	711.5	1136	
315M	4-8	508	457	216	80	170	22	71	315	28	628	631	670	675	640	46	115	35	711.5	1171	
315L	2	508	508	216	65	140	18	58	315	28	628	631	670	675	640	46	115	30	711.5	1136	
315L	4-8	508	508	216	80	170	22	71	315	28	628	631	670	675	640	46	115	35	711.5	1171	
355M	2	610	560	254	75	140	20	67.5	355	28	740	710	766	825	700	40.5	146	35	798.5	1286	
355M	4-8	610	560	254	95	170	25	86	355	28	740	710	766	825	700	40.5	146	40	798.5	1321	
355L	2	610	630	254	75	140	20	67.5	355	28	740	710	766	825	887	49	146	35	968.5	1456	
355L	4-8	610	630	254	95	170	25	86	355	28	740	710	766	825	887	49	146	40	968.5	1491	

### B3 mounting Frame sizes 80-355

Frame	Poles	Mounting dimension (mm)										Boundary dimension (mm)									
		A	B	C	D	E	F	G	H	K	AB	AC	AF	HD	AA	BB	CC	L1	L2	L	
80M	2-8	125	100	50	19	40	6	15.5	80	10	157	163	-	190	146	15	32	20	142	275	
90S	2-8	140	100	56	24	50	8	20	90	10	172	177	-	205	153	16.6	37	25	153	315	
90L	2-8	140	125	56	24	50	8	20	90	10	172	177	-	205	175	16.6	37	25	175	330	
100L	2-8	160	140	63	28	60	8	24	100	12	200	208	-	230	198	19	45	25	207	375	
112M	2-8	190	140	70	28	60	8	24	112	12	228	226	-	260	201	19	45	25	200	400	
132S	2-8	216	140	89	38	80	10	33	132	12	262	252	-	280	184	21.5	56.5	25	218	422	
132M	2-8	216	178	89	38	80	10	33	132	12	262	252	-	280	222	21.5	56.5	25	256	460	
160M	2-8	254	210	108	42	110	12	37	160	14.5	314	318	-	355	280	46	65	25	280	556	
160L	2-8	254	254	108	42	110	12	37	160	14.5	314	318	-	355	324	46	65	25	320	600	
180M	2-8	279	241	121	48	110	14	42.5	180	14.5	349	360	-	395	297	26.5	68	25	322	622	
180L	2-8	279	279	121	48	110	14	42.5	180	14.5	349	360	-	395	335	26.5	68	25	360	660	
200L	2-8	318	305	133	55	110	16	49	200	18.5	388	396	432	435	380	30	84	30	380	725	
225S	2-8	356	286	149	60	140	18	53	225	18.5	431	442	467	480	368	43	84	30	380	741	
225M	2	356	311	149	55	110	16	49	225	18.5	431	442	467	480	368	30.5	84	30	405	736	
225M	4-8	356	311	149	60	140	18	53	225	18.5	431	442	467	480	368	30.5	84	30	405	766	
250M	2	406	349	168	60	140	18	53	250	24	484	488	502	525	421	43	80	30	446	829	
250M	4-8	406	349	168	65	140	18	58	250	24	484	488	502	525	421	43	80	30	446	829	
280S	2	457	368	190	65	140	18	58	280	24	542	547	583	585	460	55	84	30	504	888	
280S	4-8	457	368	190	75	140	20	67.5	280	24	542	547	583	585	460	55	84	35	504	893	
280M	2	457	419	190	65	140	18	58	280	24	542	547	583	585	515	58.5	84	30	542	936	
280M	4-8	457	419	190	75	140	20	67.5	280	24	542	547	583	585	515	58.5	84	35	542	941	
315S	2	508	406	216	65	140	18	58	315	28	628	631	670	675	540	46	115	30	611.5	1036	
315S	4-8	508	406	216	80	170	22	71	315	28	628	631	670	675	540	46	115	35	611.5	1071	
315M	2	508	457	216	65	140	18	58	315	28	628	631	670	675	640	46	115	30	711.5	1136	
315M	4-8	508	457	216	80	170	22	71	315	28	628	631	670	675	640	46	115	35	711.5	1171	
315L	2	508	508	216	65	140	18	58	315	28	628	631	670	675	640	46	115	30	711.5	1136	
315L	4-8	508	508	216	80	170	22	71	315	28	628	631	670	675	640	46	115	35	711.5	1171	
355M	2	610	560	254	75	140	20	67.5	355	28	740	710	766	825	700	40.5	146	35	798.5	1286	
355M	4-8	610	560	254	95	170	25	86	355	28	740	710	766	825	700	40.5	146	40	798.5	1321	
355L	2	610	630	254	75	140	20	67.5	355	28	740	710	766	825	887	49	146	35	968.5	1456	
355L	4-8	610	630	254	95	170	25	86	355	28	740	710	766	825	887	49	146	40	968.5	1491	

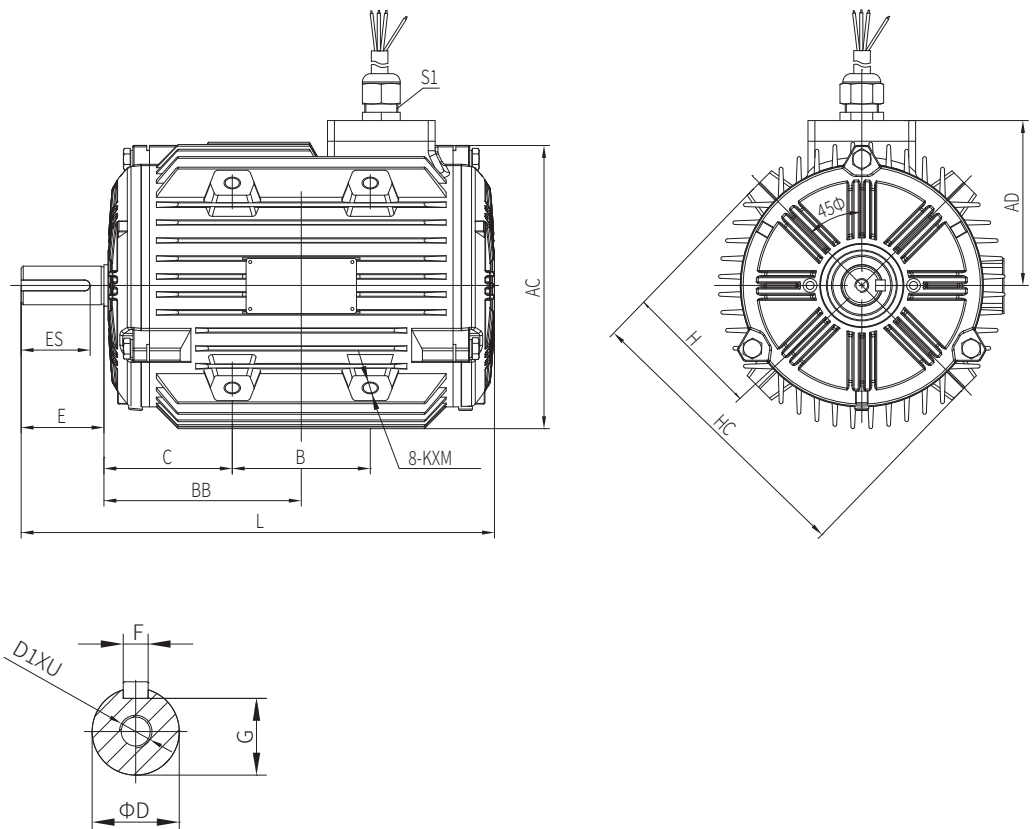
WXF4 Foot (PAD) mounted - frame sizes 80 to 280

PAD mounting  
80-280



WXF3&WXF2 Foot (PAD) mounted - frame sizes 71 to 280

PAD mounting  
71-280



### WXF4 series motor PAD type

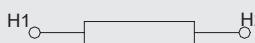
Frame	Poles	Mounting dimension (mm)							Boundary dimension (mm)						
		B	C	D	E	F	G	K×M	AC	H	HC	BB	AD	L1	L
80M	2-8	80	70	19	40	6	15.5	M12×1.75-18	165	89	178	110	97	20	275
90S	2-8	90	82.5	24	50	8	20	M12×1.75-18	177	95	190	127.5	104	25	326
90L	2-8	90	82.5	24	50	8	20	M12×1.75-18	177	95	190	127.5	104	25	326
100L	2-8	100	93	28	60	8	24	M12×1.75-18	208	105	210	143	120	25	368
112M	2-8	100	102	28	60	8	24	M12×1.75-18	224	117	234	152	133	25	385
132S	2-8	140	110	38	80	10	33	M16×2-24	255	140	280	180	145	25	460
132M	2-8	140	110	38	80	10	33	M16×2-24	255	140	280	180	145	25	460
160M	2-8	200	125	42	110	12	37	M20×2.5-25	315	168	336	225	185	25	583
160L	2-8	200	125	42	110	12	37	M20×2.5-25	315	168	336	225	185	25	583
180M	2-8	200	165	48	110	14	42.5	M20×2.5-30	355	189.5	379	265	205	25	660
180L	2-8	200	165	48	110	14	42.5	M20×2.5-30	355	189.5	379	265	205	25	660
200L	2-8	224	182	55	110	16	49	M24×3-45	392	220	440	294	220	30	719
225S	4-8	224	191.5	60	140	18	53	M24×3-45	440	245	490	303.5	245	30	767
225M	2	224	191.5	55	110	16	49	M24×3-45	440	245	490	303.5	245	30	737
225M	4-8	224	191.5	60	140	18	53	M24×3-45	440	245	490	303.5	245	30	767
250M	2	224	225.5	60	140	18	53	M24×3-45	490	272	544	337.5	270	30	835
250M	4-8	224	225.5	65	140	18	58	M24×3-45	490	272	544	337.5	270	30	835
280S	2	300	260	65	140	18	58	M36×4-50	550	304	608	410	335	30	969
280S	4-8	300	260	75	140	20	67.5	M36×4-50	550	304	608	410	335	35	974
280M	2	300	260	65	140	18	58	M36×4-50	550	304	608	410	335	30	969
280M	4-8	300	260	75	140	20	67.5	M36×4-50	550	304	608	410	335	35	974

### WXF3&WXF2 series motor PAD type

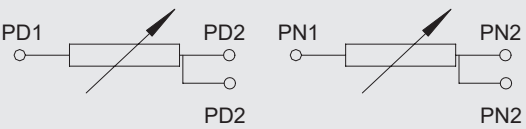
Frame	Poles	Mounting dimension (mm)										Boundary dimension (mm)					
		B	C	D	E	F	G	S1	ES	D1×U	K×M	BB	H	HC	AC	AD	L
71M	2-8	71	54.5	14	30	5	11	M20×1.5	25	M5×12	M10×1.5-15	90	75	150	140	82	203
80M	2-8	80	70	19	40	6	15.5	M20×1.5	32	M6×18	M12×1.75-18	110	89	178	165	97	255
90S	2-8	90	82.5	24	50	8	20	M20×1.5	40	M8×19	M12×1.75-18	127.5	95	190	177	104	301
90L	2-8	90	82.5	24	50	8	20	M20×1.5	40	M8×19	M12×1.75-18	127.5	95	190	177	104	301
100L	2-8	100	93	28	60	8	24	M25×1.5	50	M10×24	M12×1.75-18	143	105	210	208	120	343
112M	2-8	100	102	28	60	8	24	M20×1.5	50	M10×24	M12×1.75-18	152	117	234	224	133	360
132S	2-8	140	110	38	80	10	33	M25×1.5	70	M12×24	M16×2-24	180	140	280	255	145	435
132M	2-8	140	110	38	80	10	33	M25×1.5	90	M12×24	M16×2-24	180	140	280	255	145	435
160M	2-8	200	125	42	110	12	37	M32×1.5	90	M16×36	M20×2.5-25	225	168	336	315	185	558
160L	2-8	200	125	42	110	12	37	M32×1.5	90	M16×36	M20×2.5-25	225	168	336	315	185	558
180M	2-8	200	165	48	110	14	42.5	M32×1.5	90	M16×36	M20×2.5-30	265	189.5	379	355	205	635
180L	2-8	200	165	48	110	14	42.5	M32×1.5	90	M16×36	M20×2.5-30	265	189.5	379	355	205	635
200L	2-8	224	182	55	110	16	49	M40×1.5	90	M20×42	M24×3-45	294	220	440	392	219	689
225S	2-8	224	191.5	60	140	18	53	M50×1.5	110	M20×42	M24×3-45	303.5	245	490	440	243	737
225M	2	224	191.5	55	110	16	49	M50×1.5	90	M20×42	M24×3-45	303.5	245	490	440	243	707
225M	4-8	224	191.5	60	140	18	53	M50×1.5	110	M20×42	M24×3-45	303.5	245	490	440	243	737
250M	2	224	225.5	60	140	18	53	M63×1.5	140	M20×42	M24×3-45	337.5	272	544	490	270	805
250M	4-8	224	225.5	65	140	18	58	M63×1.5	140	M20×42	M24×3-45	337.5	272	544	490	270	805
280S	2	300	260	65	140	18	58	2-M63×1.5	125	M20×42	M36×4-50	410	304	608	550	331	939
280S	4-8	300	260	75	140	20	67.5	2-M63×1.5	125	M20×42	M36×4-50	410	304	608	550	331	939
280M	2	300	260	65	140	18	58	2-M63×1.5	125	M20×42	M36×4-50	410	304	608	550	331	939
280M	4-8	300	260	75	140	20	67.5	2-M63×1.5	125	M20×42	M36×4-50	410	304	608	550	331	939

## 22 Optional accessories

### Anti-condensation heater

Name	Anti-condensation heater										
Application	Prevent condensation within the motor, which would lead to low insulation resistance										
Temperature resistance of insulating material	≥250°C										
Rated voltage	AC single-phase, 220 - 240V (order schedule)										
Set position	Bound to the winding overhang										
Connection	Two lead wires to the terminal box										
lead Marking	H1 & H2										
Wiring diagram											
Frame	100	112	132	160	180	200	225	250	280	315	355
Rated wattage of each heating belt	30	30	40	40	50	50	60	60	60	80	110

### Bearing Resistant Temperature Detector (RTD)

Name	Platinum Resistant Temperature Detector (RTD)
Type	WZP-M, three leads, sealed metal body
Application	Motor winding temperature detection, over temperature protection
0°C resistance and precision	100± 0.12Ω (Class B tolerances)
Quantity	One per bearing
Set position	Embedded inside the endshield, the face of the sensor must contact the outer ring of the bearing
Connection	Each component has three lead wires to the terminal box.
Lead Markings	drive-end bearing ( D E ) — PD1, PD2, PD2 ; non-driven-end bearing ( NDE ) — PN1, PN2, PN2 If two elements are used for each end of the bearing, the lead of the other element is marked as: drive-end bearing ( D E ) - PD3, PD4, PD4 ; non-driven-end bearing ( NDE ) - PN3, PN4, PN4
Wiring diagram	

## Winding Resistant Temperature Detector (RTD)

Name	Platinum Resistant Temperature Detector (RTD)
Type	PT100, three leads
Application	Motor winding temperature detection, high temperature protection
0°C resistance and precision	100± 0.12Ω (Class B tolerances)
Set position	1 in each phase, at the highest temperature point embedded at the end of the winding at the drive end
Connection	Each component has three lead wires to the terminal box
Lead Markings	U – PU1, PU2, PU2 ; V– PV1, PV2, PV2; W– PW1, PW2, PW2. If there are two elements in each phase winding, the lead of the other element is marked as: U– PU3, PU4 , PU4 ; V– PV3, PV4, PV4 ; W– PW3, PW4, PW4
Wiring diagram	

## The following factors should be taken into account when selecting the motor

- Voltage:  380V;  400V;  415V;  Others
- Frequency:  50Hz;  60Hz;  Others
- Installation:  IMB3;  PAD;  Others
- Operating environment:  Indoor;  Outdoor;  Environment temperature;  Altitude;  Corrosion prevention;  Others
- Protection grade:  IP55;  IP54;  Others
- Type of load:  Fan;  Others
- Duty S2:  +200°C /2 h;  +300°C /2 h;  +400°C /2 h,  Others
- Insulation grade:  155(F);  180(H);  Others
- Direction of rotation:  CW;  CCW;  Both directions
- Terminal box:  Yes;  No;
- Type of terminal box inlet:  Locking screw;  metal joint + flexible metal tubing;  Others
- Outlet direction:  Top;  Right;  Left (Look from the end of the shaft);
- The length of the lead: According to the installed wind system, the order should be clear

## Example

- Demand: The center height of the frame is 315, 90kW,6P with foot, end cover without flange, IE3 380/660V, CW, without terminal box, Top outlet, IP55, 300°C /2h, the motor is marked as follows: WXF3-315M-6 F300 90kW 380/660V 50Hz IMB3 IP55 Top outlet long lead
  - If the user has special requirements on voltage, frequency, protection level, rotation direction, installation mode, double-shaft extension, noise, vibration and connection of terminal box, the technical personnel shall be agreed upon before manufacturing and the technical agreement shall be signed before manufacturing.
- ※ The data in this sample are allowed to change as the technology progresses without prior notice. Please note the change of the sample version.

# WOLONG 卧龙

*Power your future*



WL\_ID\_01\_WXF\_202105\_EN\_VER4.0



**BROOK CROMPTON**



GE INDUSTRIAL MOTORS

**LAURENCE SCOTT**

**MORLEY**



**SCHORCH**



**WOLONG**