



Product card

Residential 5-40kWh



Basic Product Card - All-in-One 3-phase RES BOX 3-12kW / 5.12-40.96kWh

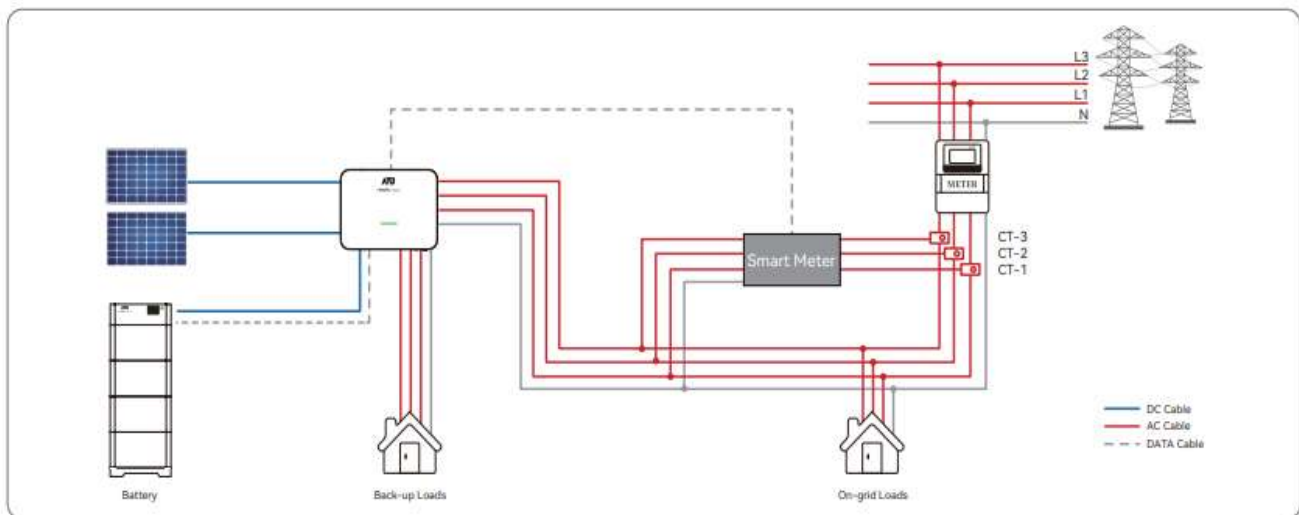


System Parameters						
Nominal & Max Output power (W)	3kW	5kW	6kW	8kW	10kW	12kW
Capacity Range (kWh)	5.12-40.96					
Useable Capacity Range (kWh)	4.6-36.68					
Battery Type	LFP(LiFePO4)					
Degree of Protection	IP65					
Inverter Technical Parameters						
Model EHTS-	3000X	5000X	6000X	8000X	10000X	12000X
Max PV Input Voltage (V)	1000					
MPPT Voltage Range (V)	130-960				180-960	
Max. PV Input Current (A)	25/25					
Max. PV Input Power (W)	4500	7500	9000	12000	15000	18000
Max. MPPT Short-Circuit Current (A)	30/30					
Number of MPPT's	2					
Start-up Voltage (V)	130				200	
Battery Voltage Range(V)	125-800					
Max.Charging/Discharging Current (A)	25/25					
Nominal Output Voltage (V)	3/N/PE, 220/380V,230/400V, 240/415V					
Output Voltage Range (V)	184-276/320-480					
Rated Grid Frequency (Hz)	50/60					
Maz. Efficiency	97.70%					
Communication Protocol	RS485/CAN, WIFI/4G/Bluetooth					
Compliance Standards	IEC/EN62109-1.-2, EN61000-6-1,-6-3,-6-4, VDE-AR-N4105, EN50549					



Battery System Technical Parameters

System Model -HCB	5H-S-	10H-S-	15H-S-	20H-S-	30H-S-	40H-S-
Batteery Pack Model	BHS-5H-S					
Nominal Capacity (kWh)	5.12	10.24	15.36	20.48	30.72	40.96
Useable Capacity (kWh)	4.6	9.21	13.81	18.43	27.65	36.86
Nominal Voltage (V)	102.4	204.8	307.2	409.6	307.2	409.6
Voltage Range (V)	83.2- 116.8	166.4- 233.6	249.6- 350.4	332.8- 467.2	249.6- 350.4	332.8 - 467.2
Nom. Charging/Discharging Current(A)	25					
Max. Charging/Discharging Current(A)	50					
Operating Temperature Range	Lataus 0-+55° C, purkaus -20-+60° C					
System Weight (kg)	83	146	209	272	418	544
Dimensions						
Width (mm)	700	700	700	700	2 x 700	2 x 700
Height (mm)	620	980	1340	1700	2 x 1340	2 x 1700
Depth (mm)	210	210	210	210	2 x 210	2 x 210
Compliance Standards	IEC 62619, EN/IEC61000-6-1, -6-3, IEC 62477, UN38.8, MSDS					



Invertterin Tekniset Parametrit

Model EHTS-	15000X	18000X	20000X
Max PV Input Voltage (V)	1000		
MPPT Voltage Range (V)	180-960		
Max. PV Input Current (A)	25/25		
Max. PV Input Power (W)	22500	27000	30000
Max. MPPT Short-Circuit Current (A)	30/30		
Number of MPPT's	2		
Start-up Voltage (V)	200		
Battery Voltage Range(V)	125-800		
Max.Charging/Discharging Current (A)	25/25		
Nominal Output Voltage (V)	3/N/PE, 220/380V,230/400V, 240/415V		
Output Voltage Range (V)	184-276/320-480		
Rated Grid Frequency (Hz)	50/60		
Maz. Efficiency	97.70%		
Communication Protocol	RS485/CAN, WIFI/4G/Bluetooth		
Compliance Standards	IEC/EN62109-1.-2, EN61000-6-1,-6-3,-6-4, VDE-AR-N4105, EN50549		

